

**INDEX OF SHEETS**

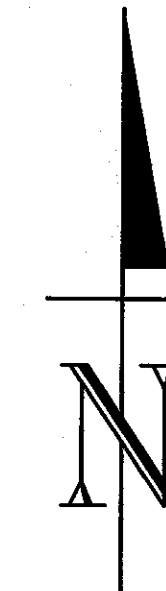
SHEET NO.

- 1 TITLE PAGE
- 2-5 SUMMARY OF QUANTITIES  
& TYPICAL CROSS SECTIONS
- 3 TEMPORARY PAVEMENT MARKING PLAN

STANDARD PLANS

- 920-R5 (2 SHEETS) TRAFFIC CONTROL, CONSTRUCTION AND MAINTENANCE
- 922-R8 (2 SHEETS) TRAFFIC CONTROL FOR ASPHALT SURFACING
- 924 (3 SHEETS) TYPICAL URBAN TRAFFIC CONTROL PLAN

**STATE OF NEBRASKA  
DEPARTMENT OF ROADS  
PLANS FOR CONSTRUCTION  
HIGHWAY 183  
ANSLEY NORTH  
& SOUTH  
CUSTER COUNTY**

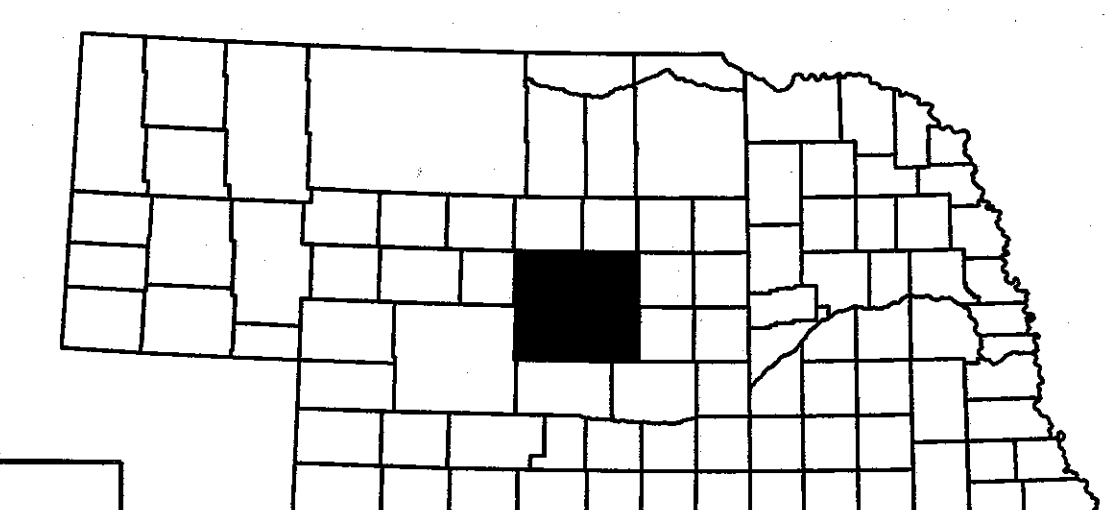
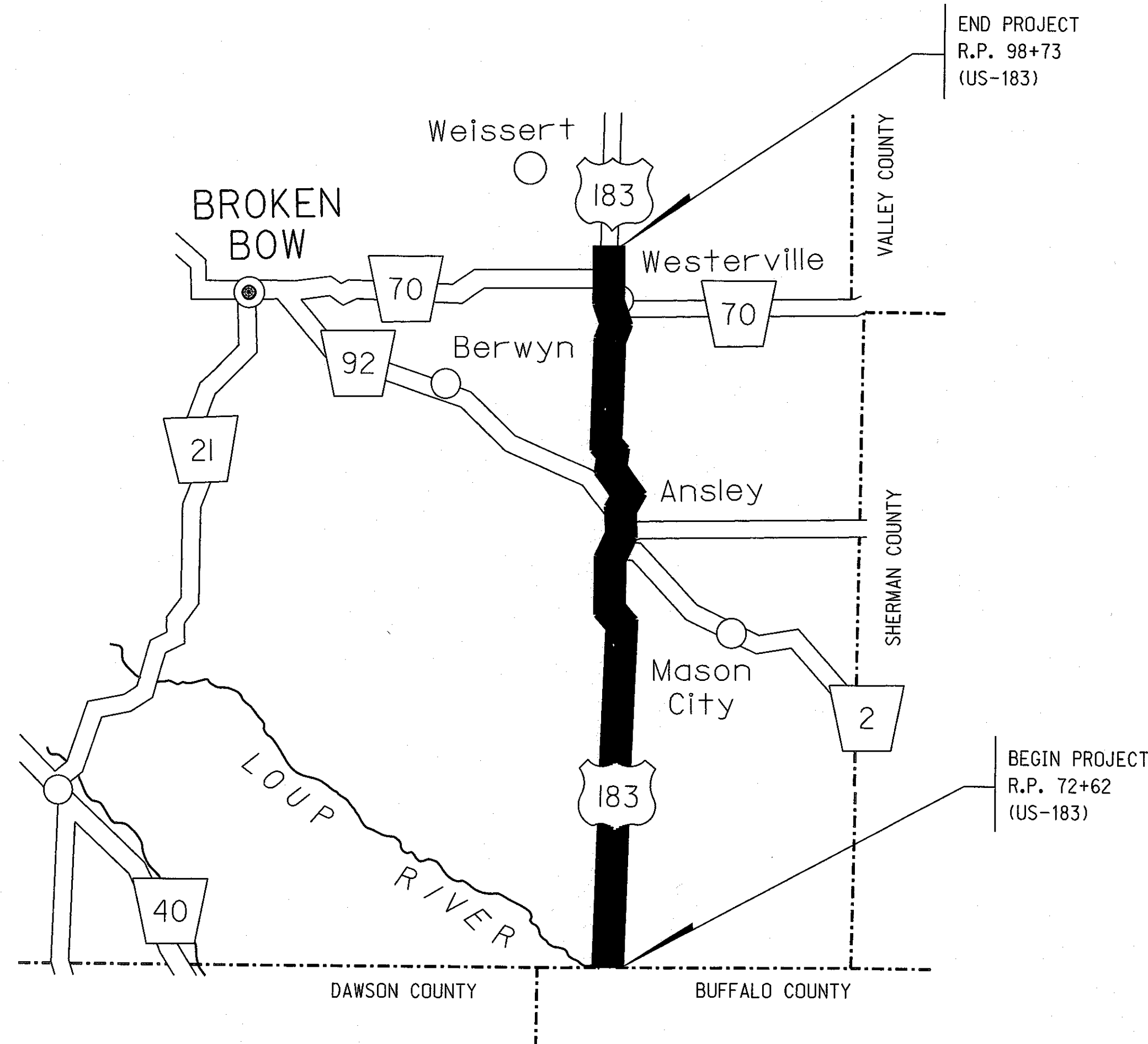


PROJECT NO.	SHEET NO.
AFE-F006	1
▲ CONTRACT ID. M6TLOB	
▲ CONTRACT ID.	
■ CONTRACT ID.	

THE 2007 EDITION OF THE NEBRASKA STANDARD SPECIFICATIONS AND THE SPECIAL PROVISIONS APPLY TO THIS PROJECT.

THE WORK ON THIS PROJECT CONSISTS OF GROUPS	
9-BITUMINOUS	
▲ GROUPS 9	ARE INCLUDED
IN THE LETTING OF FEBRUARY 6, 2014	
▲ GROUPS	ARE INCLUDED
IN THE LETTING OF	
■ GROUPS	ARE INCLUDED
IN THE LETTING OF	

DESIGN DESIGNATION
MAINTENANCE
TRAFFIC
YEAR: 2014
ADT: 720



CONSTRUCTION DIVISION

Computer: DRCONSTRUCTION

User: ddr17005

Date: 31-DEC-2013 15:32

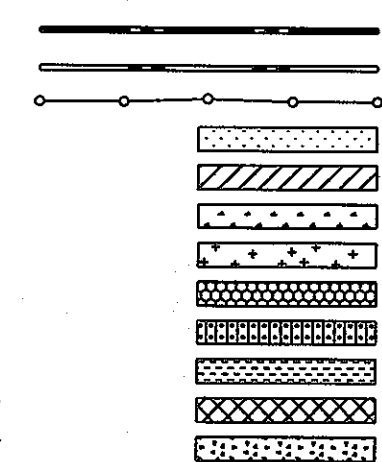
File: M6TLOBpsert11b.dgn  
Scale: 1:100

**CONVENTIONAL SIGNS**

- FENCE R.O.W. OR WIRE
- GUARDRAIL
- TRAVELED WAY
- DIKE
- CULVERT
- POWER POLE
- TELEPHONE POLE
- MAILBOX
- RAILROAD TRACKS
- MARSH
- TREE - CONIFEROUS
- TREE - DECIDUOUS

**R.O.W. LEGEND**

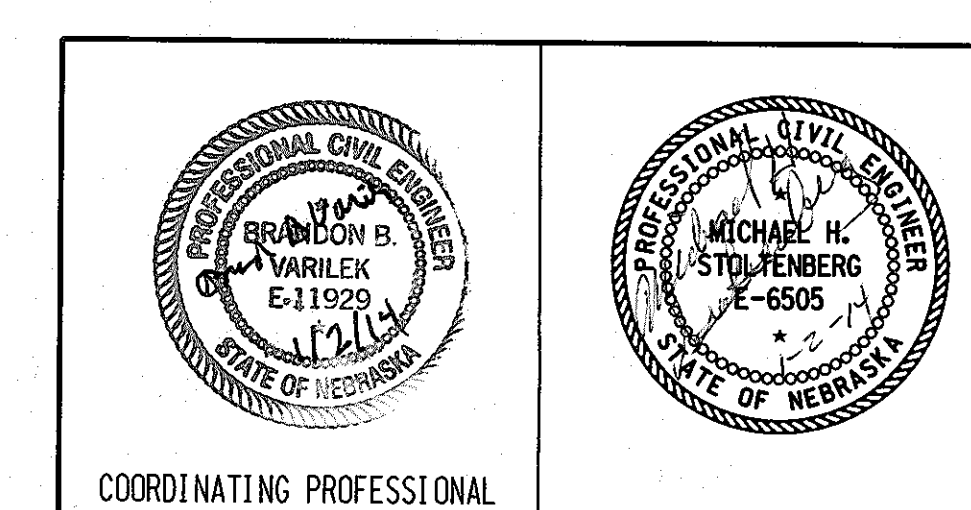
- NEW CONTROLLED ACCESS
- PREVIOUS CONTROLLED ACCESS
- LIMITS OF CONSTRUCTION
- PREVIOUS R.O.W.
- NEW R.O.W.
- EXISTING PERMANENT EASEMENT
- TEMPORARY EASEMENT
- EXCESS TAKING
- PERMANENT EASEMENT
- EXISTING RAILROAD EASEMENT
- NEW RAILROAD PERMANENT EASEMENT
- NEW RAILROAD TEMPORARY EASEMENT



REFERENCE POST NO. 72+62 TO REFERENCE POST NO. 98+73

EXCEPTION: FROM REF. POST NO. 88+39 TO REF. POST NO. 88+85

TOTAL NET LENGTH OF PROJECT: 135,432.00 FEET 25.650 MILES



PROJECT NO.	SHEET NO.
AFE-F006	2-5

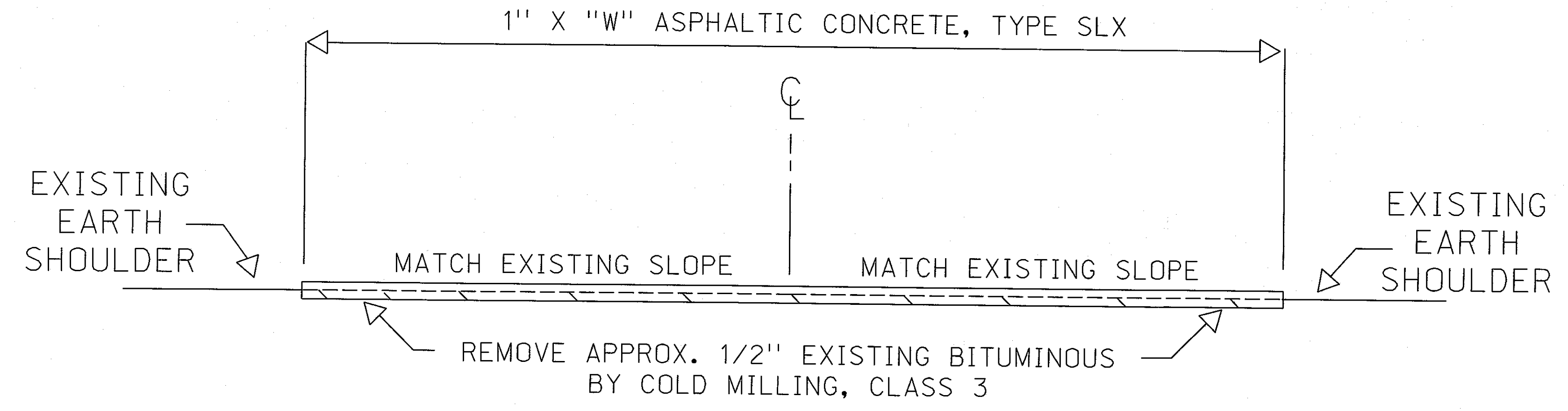
CONTRACT ID: M6TLOB

# SUMMARY OF QUANTITIES

# TYPICAL CROSS SECTIONS

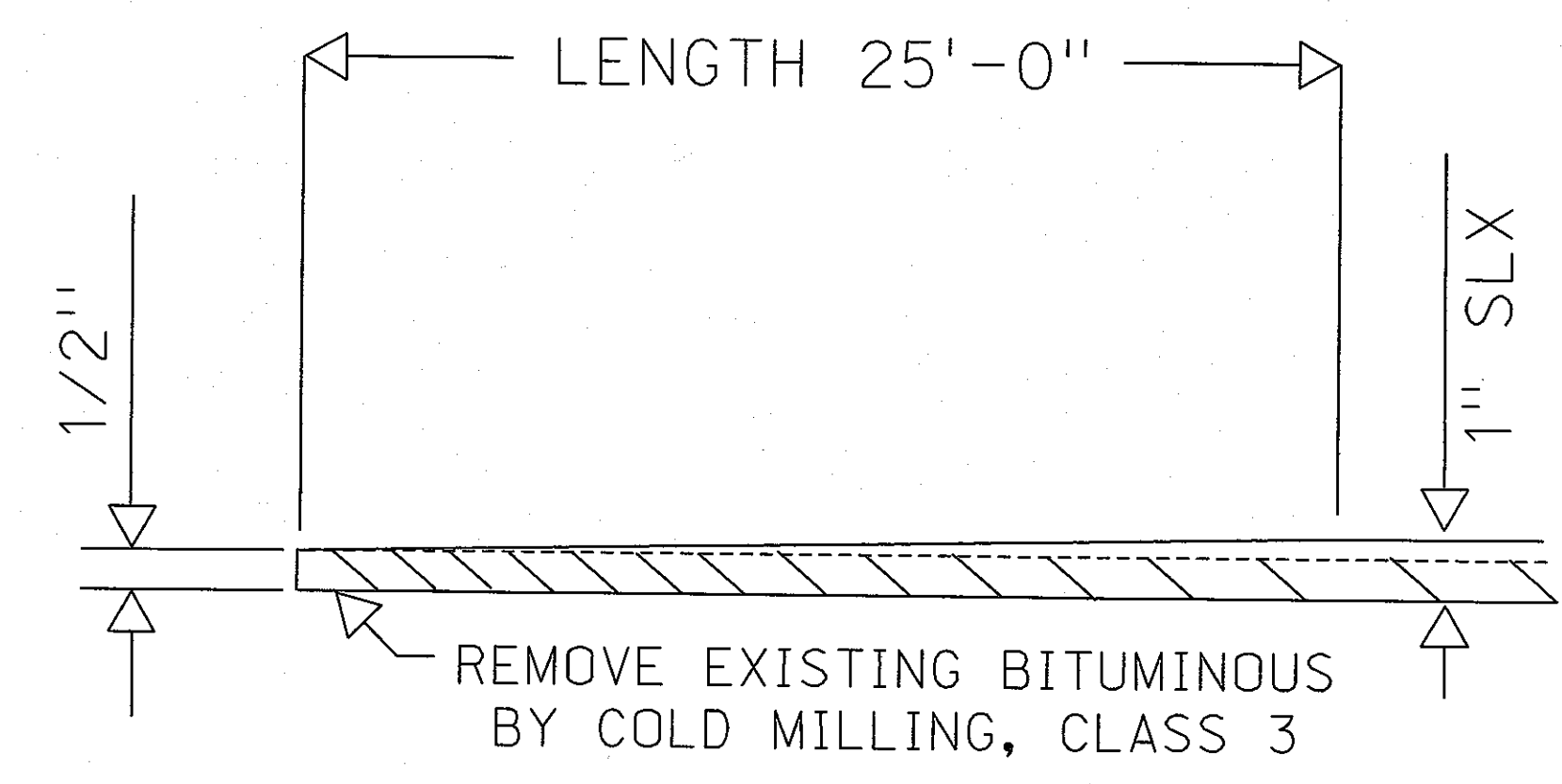
## BITUMINOUS SURFACING ITEMS GROUP 9

ITEM	QUANTITY	UNITS
BARRICADE, TYPE II	5,500.000	BDAY
BARRICADE, TYPE III	96.000	BDAY
TEMPORARY SIGN DAY	350.000	EACH
SIGN DAY	8,659.000	EACH
OVERLAY BROKEN LINES	2,708.000	STA
OVERLAY SOLID LINES	5,416.000	STA
FLAGGING	50.000	DAY
FURNISHING AND OPERATING PILOT VEHICLE	25.000	DAY
FIELD OFFICE	1.000	EACH
MOBILIZATION	1.000	LS
12" WHITE PREFORMED PAVEMENT MARKING	40.000	LF
HYDRATED LIME/WARM MIX ASPHALT	24,110.000	EACH
ASPHALTIC CONCRETE, TYPE SLX	23,610.000	TON
ASPHALTIC CONCRETE FOR PATCHING, TYPE SLX	500.000	TON
PERFORMANCE GRADED BINDER (64-34)	1,012.620	TON
TACK COAT	65,580.000	GAL
FOG SEAL	1,500.000	GAL
RENTAL OF LOADER, FULLY OPERATED	50.000	HOUR
RENTAL OF MOTOR GRADER, FULLY OPERATED	50.000	HOUR
RENTAL OF DUMP TRUCK, FULLY OPERATED	50.000	HOUR
RENTAL OF SKID LOADER, FULLY OPERATED	50.000	HOUR
COLD MILLING, CLASS 3	1,513.435	STA
RAP INCENTIVE PAYMENT	40,987.000	EACH
ASPHALT PAVEMENT SMOOTHNESS TESTING	1.000	LS

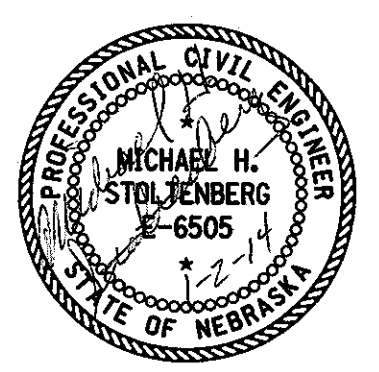


REFERENCE POST TO REFERENCE POST	"W"
72+62 - 88+39	26'-0"
88+85 - 91+69	24'-0"
91+69 - 98+73	26'-0"

## TRANSITION DETAIL FROM EXISTING PAVEMENT TO NEW ASPHALTIC CONCRETE, TYPE SLX



TYPES OF ASPHALTIC OIL TO BE USED
TACK COAT: SS-1, SS-1H, CSS-1, OR CSS-1H FOG SEAL: SS-1H, CSS-1H
PERFORMANCE GRADED BINDER
ASHTO DESIGNATION M320



CONSTRUCTION DIVISION

Computer: DRCONSTRUCTIO

User: dor17005

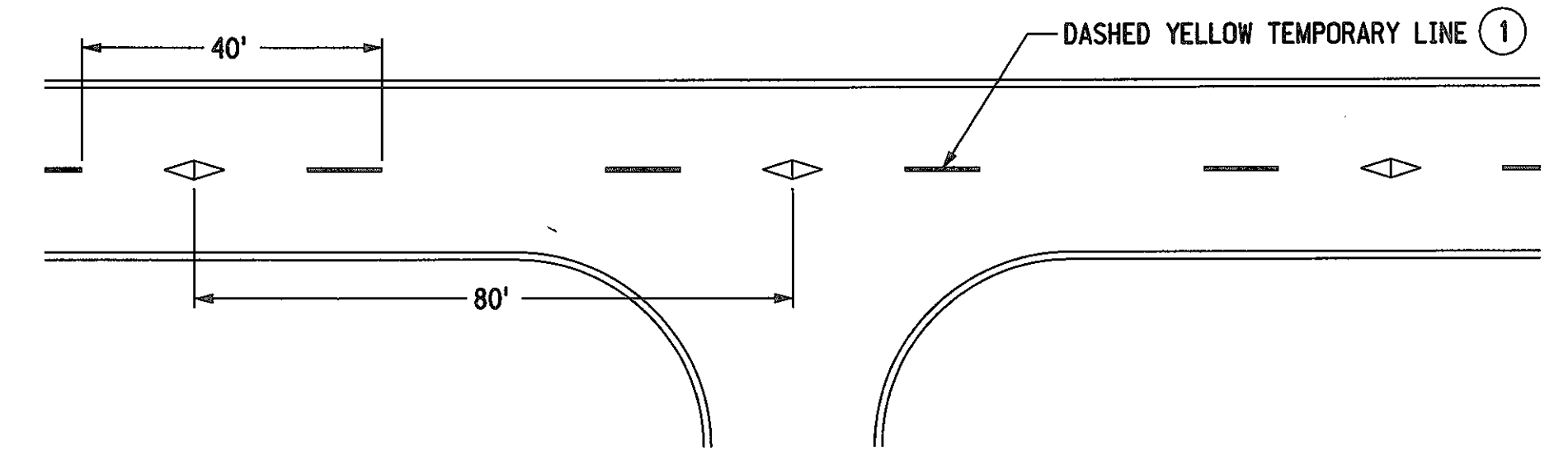
Date: 31-DEC-2013 15:32

File: M6TLOBset111c.dgn  
Scale: 1:100

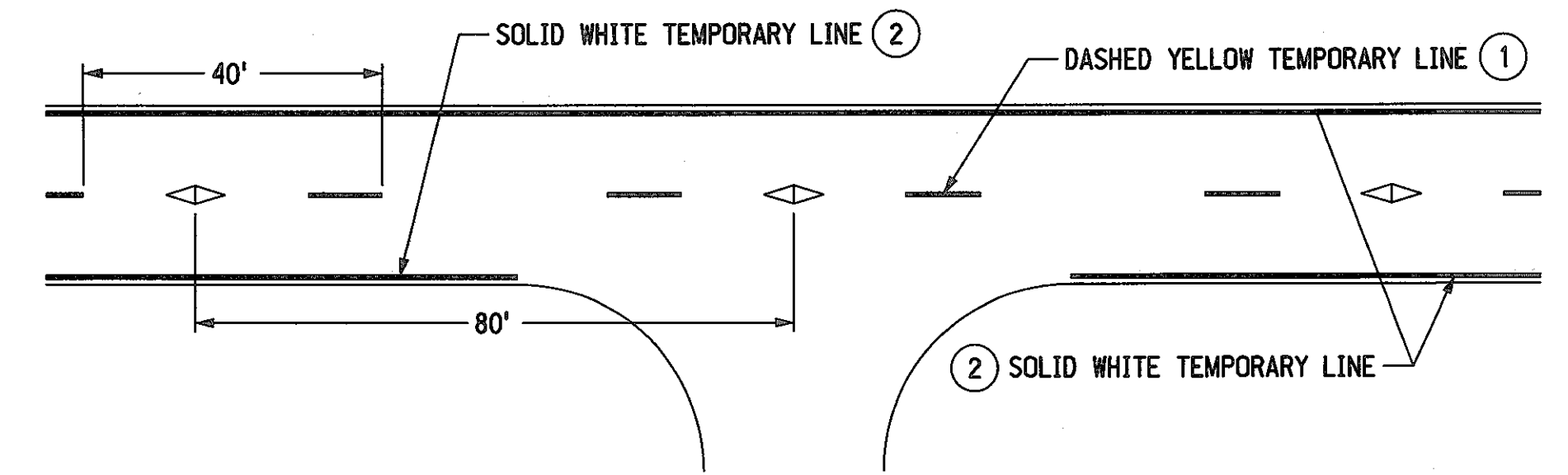
TRAFFIC ENGINEERING DIVISION  
Computer: DRTRAFFIC20  
User: dor23056  
Date: 13-JUN-2013 09:58  
File: ptemp-1 r4.dgn  
Scale: 1:100

### 2 LANE ROADWAYS

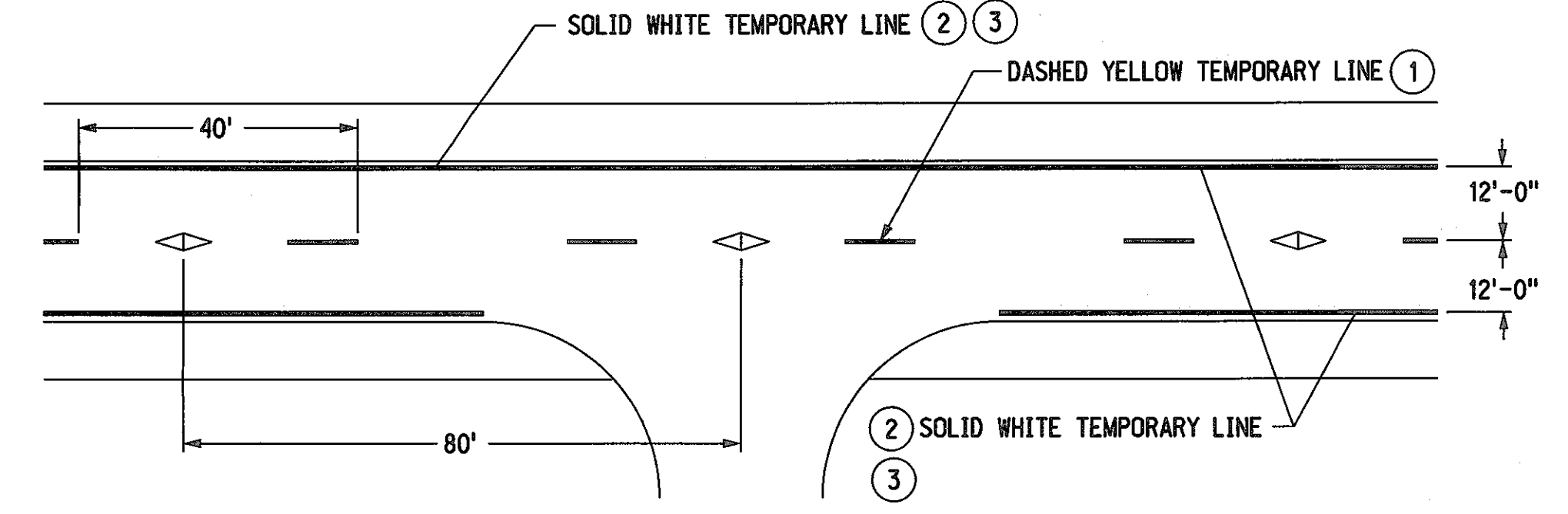
2 LANE WITH CURBS



### 2 LANE EARTH SHOULDERS

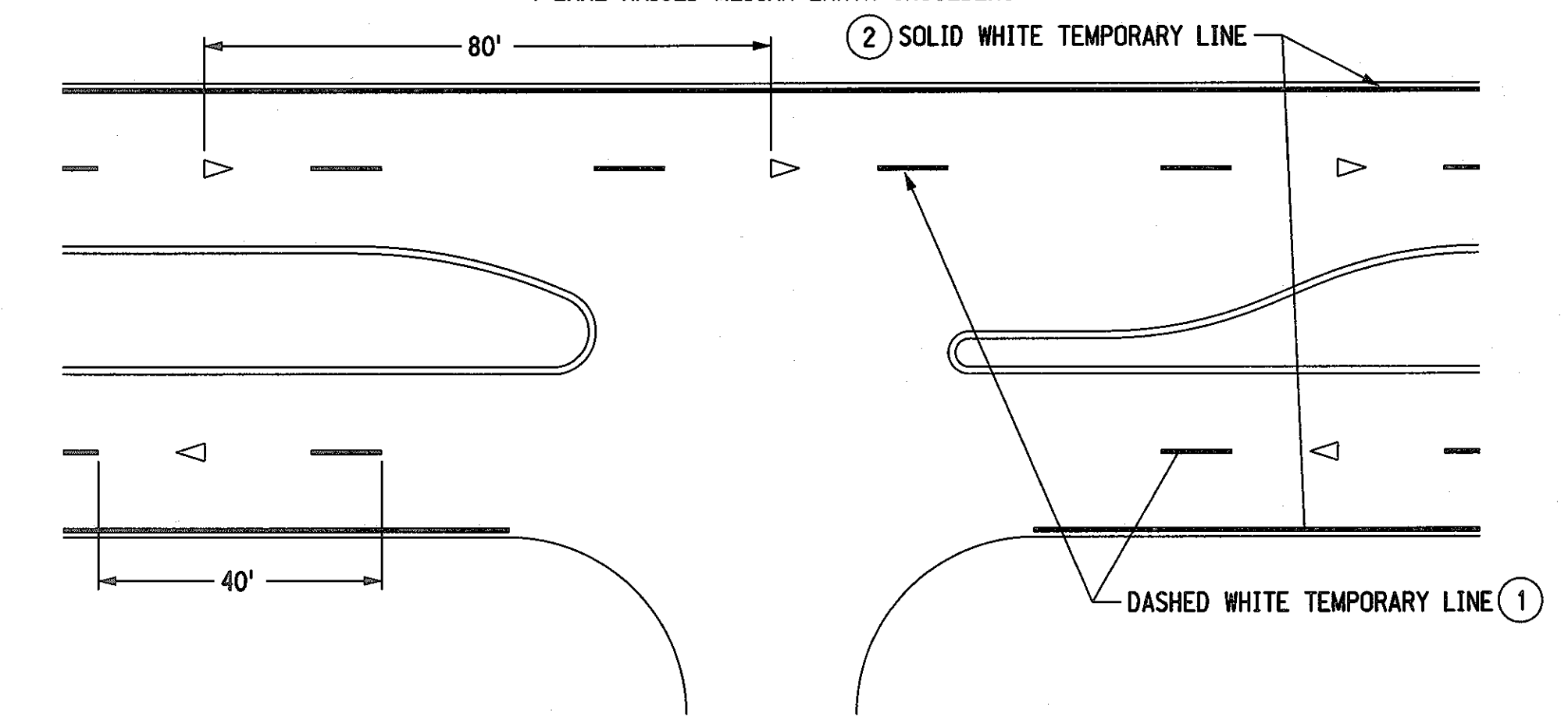


### 2 LANE SURFACED SHOULDERS

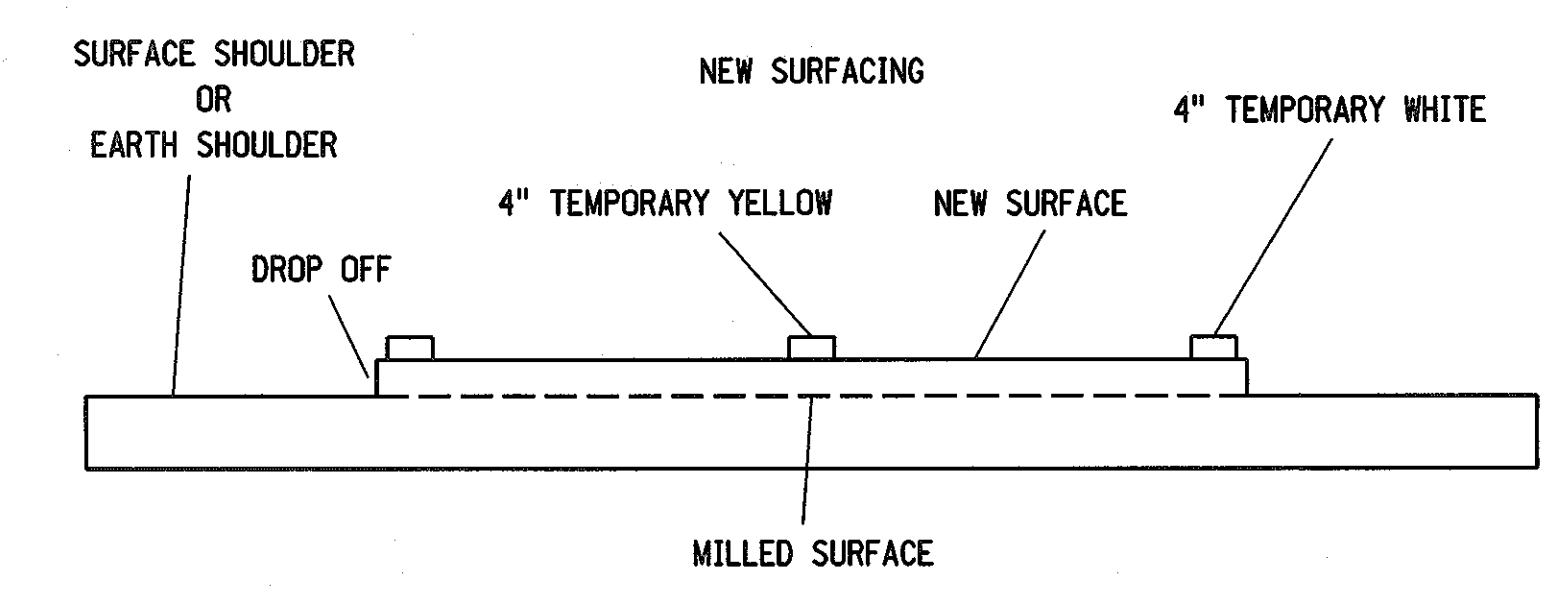
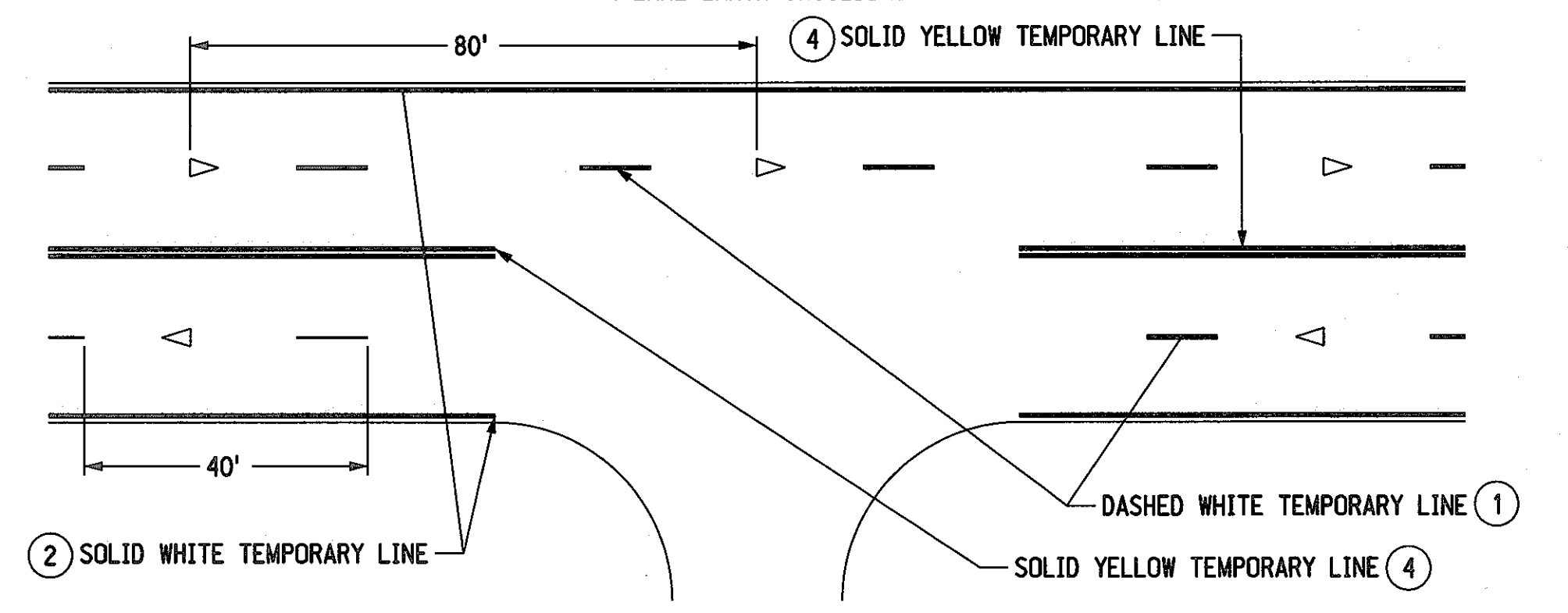


### 4 LANE ROADWAYS

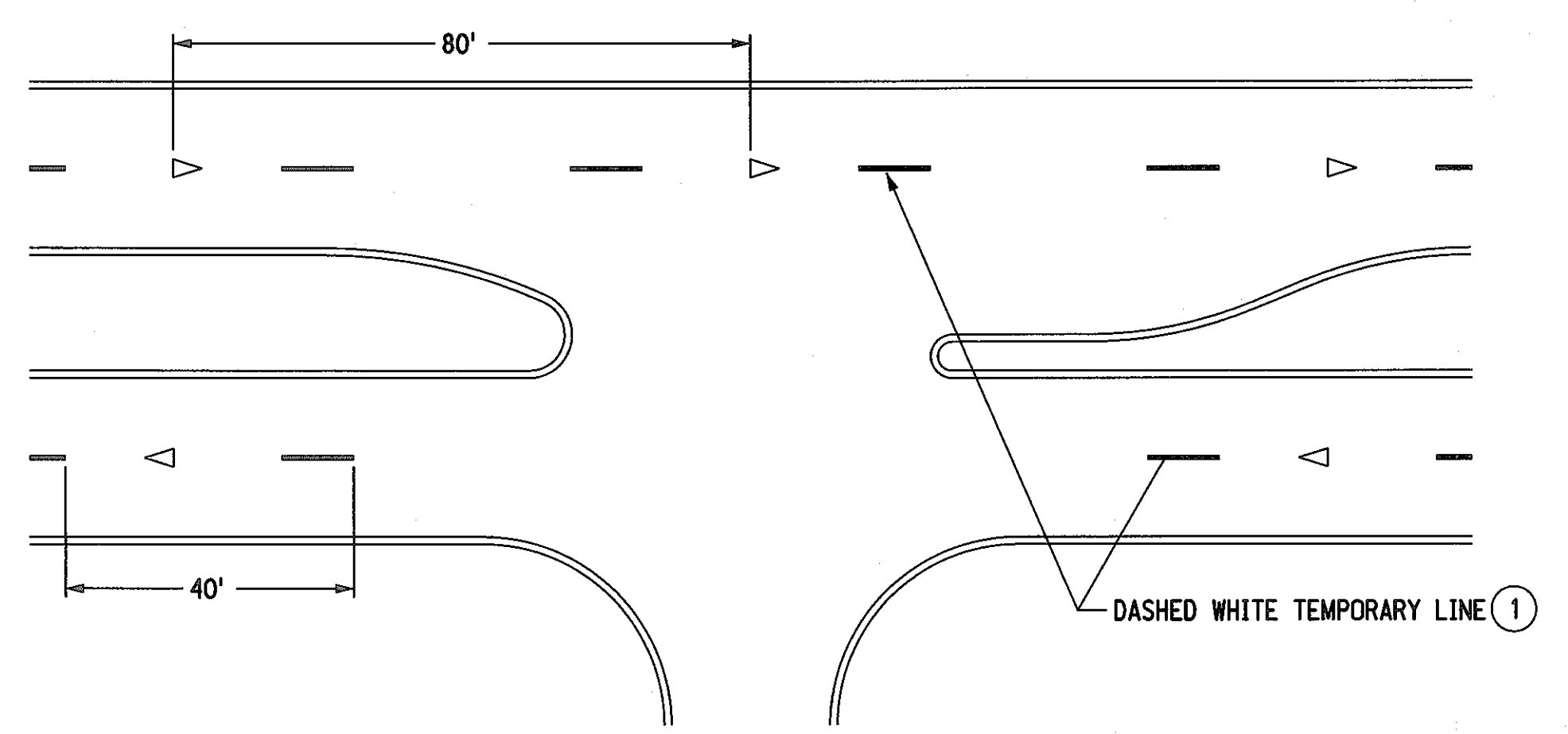
#### 4 LANE RAISED MEDIAN EARTH SHOULDERS



#### 4 LANE EARTH SHOULDERS

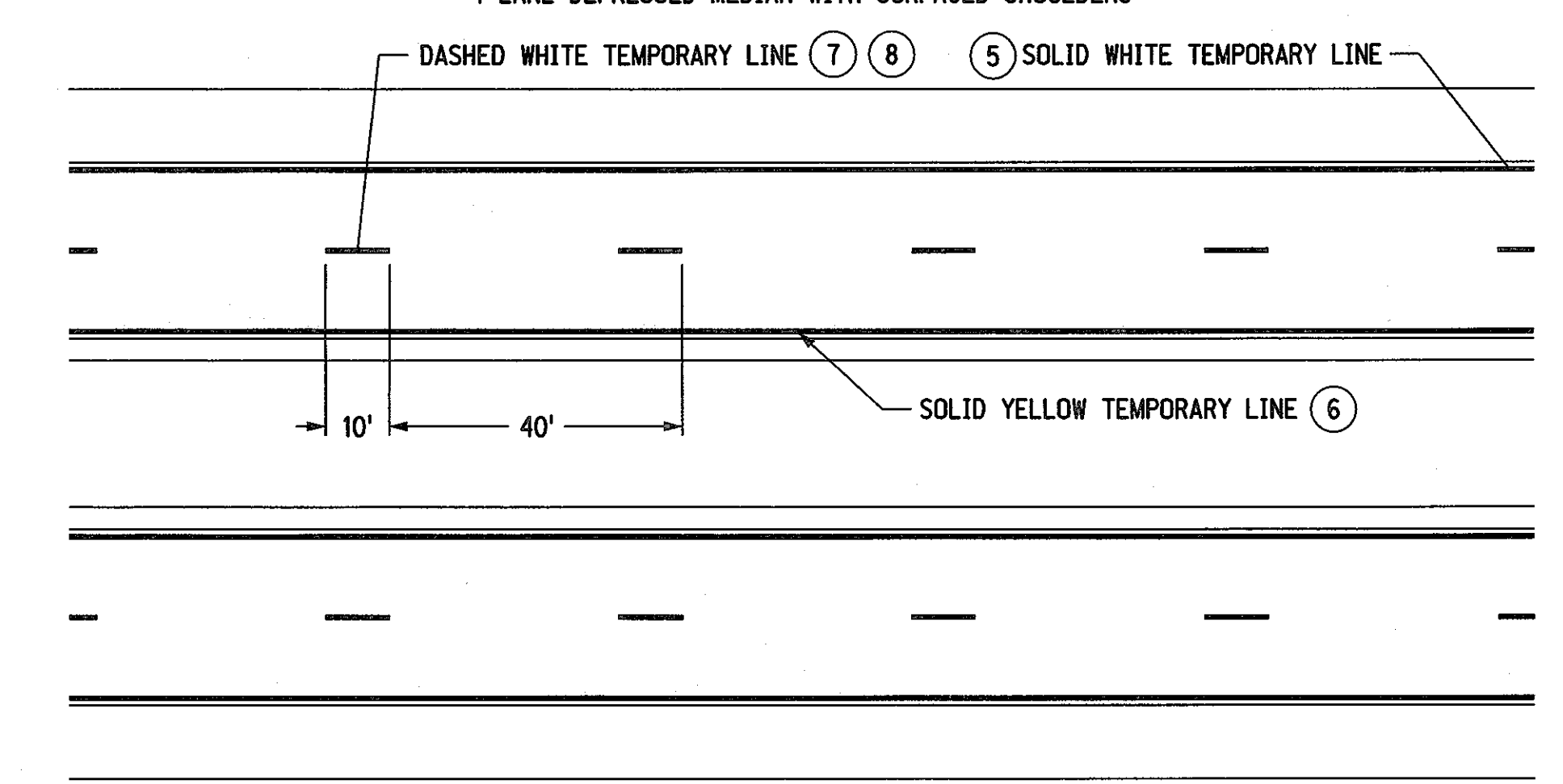


#### 4 LANE RAISED MEDIAN WITH CURBS



### FREEWAY/RURAL EXPRESSWAY

#### 4 LANE DEPRESSED MEDIAN WITH SURFACED SHOULDERS



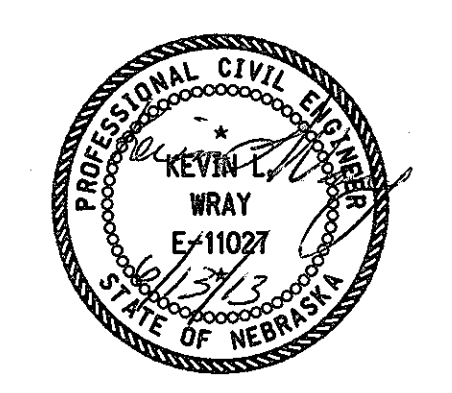
### NOTES

- ① LOWER LAYERS: TEMPORARY DASHED LINE SHALL BE 4" X 10' PAINTED LINE AT 40' INTERVALS OR 4" X 4' TYPE I TAPE LINE AT 40' INTERVALS. TAPE OR PAINT WILL BE SUPPLEMENTED WITH AN OVERLAY MARKER EVERY 80 FEET.
  - OVERLAY MARKERS ARE NOT REQUIRED ON MILLED SURFACES, HYDRATED LIME SURFACES AND STABILIZED SURFACES.
- TOP LAYER:
  - BROKEN LINE MARKINGS
    - INSTALL 4" X 4' TAPE AT 40' INTERVALS SUPPLEMENTED WITH AN OVERLAY MARKER EVERY 80 FEET.
    - OR USE NO TAPE, BUT INSTALL 2 RAISED PAVEMENT MARKERS SPACED 5' APART AT 40' INTERVALS.
  - SOLID LINE MARKINGS
    - 4" WIDE PAINTED LINE OR PAVEMENT MARKING TAPE. RAISED PAVEMENT MARKERS MAY BE USED IN LIEU OF PAINT OR TAPE, INSTALLED AT 10' INTERVALS.
- ARMOR COATS  
FOG SEALS: 2 OVERLAY MARKERS 5' APART, PER 40 FOOT CYCLE (NO PAINT OR TAPE).
- ② TEMPORARY SOLID LINE SHALL BE 4" WIDE PAINTED LINE.
- ③ EDGE LINE SHALL BE PLACED SO THAT THE OUTSIDE EDGE OF PAINT IS THE REQUIRED DISTANCE FROM CENTERLINE ON THE TOP LIFT
- ④ TEMPORARY CENTERLINE SHALL BE TWO 4" PAINTED LINES SPACED 4" APART, CENTERED ABOUT THE JOINT LINE.
- ⑤ EDGELINE SHALL BE 4" PAINTED LINE. PLACED TO THE LEFT OF JOINT LINE.
- ⑥ ALL LAYERS: EDGELINE SHALL BE PLACED 12'-0" FROM THE CENTER JOINT LINE. (RIGHT OF SHOULDER JOINT LINE WHEN APPLICABLE)
- ⑦ MILLED SURFACE OR LOWER LIFTS: THE TEMPORARY WHITE DASH LINE SHALL BE 4" X 10' MINIMUM PAINTED LINE AT 40' INTERVALS, PLACED TO THE LEFT OF THE JOINT LINE.
- ⑧ TOP LIFT: THE TEMPORARY WHITE DASH LINE SHALL BE 4" IN WIDTH X MINIMUM 8' TO MAXIMUM 10' LENGTH, PLACED 2" TO THE LEFT OF THE JOINT LINE. THE INTERVAL (CYCLE) SHALL BE 40' ± 2" TO ALLOW FOR THE PERMANENT PAVEMENT MARKING.
- ⑨ ALL TEMPORARY PAVEMENT MARKING THAT WILL BE COVERED BY PERMANENT PAVEMENT MARKING SHALL COMPLY WITH THE ALIGNMENT AND LOCATION REQUIREMENTS OF THE FINAL PAVEMENT MARKING MATERIAL. TEMPORARY PAVEMENT MARKINGS THAT ARE NOT COVERED BY THE PERMANENT MARKINGS SHALL BE REMOVED AT THE CONTRACTOR'S EXPENSE.

ROADWAY WIDTH	SHOULDER TYPE	DISTANCE FROM C OF ROADWAY TO OUTSIDE EDGE OF PAVEMENT
LESS THAN 24'	SURFACED	EDGE OF LANE
LESS THAN 24'	EARTH	PAVEMENT EDGE
24'	EARTH	PAVEMENT EDGE
24'	SURFACED	12'-0" *
24' TO 28'	EARTH	12'-0" *

\*SEE NOTE 3  
CENTERLINE MARKING SHALL BE PLACED ON THE "SOUTH" SIDE OF THE CENTER JOINT ON EAST-WEST ROADS AND ON THE "EAST" SIDE OF THE CENTER JOINT ON NORTH-SOUTH ROADS

- LEGEND
- △ OVERLAY MARKER
  - ◁ BIDIRECTIONAL OVERLAY MARKER



**NEBRASKA DEPARTMENT OF ROADS**  
**TRAFFIC ENGINEERING DIVISION**

**TYPICAL PAVEMENT MARKING**

DESIGNED: DV	TEMPORARY PAVEMENT MARKING PLAN	1/1
REVIEWED: MAN	TRAFFIC ENGINEER	DATE
DATE DRAWN: 8/06		