

PROJECT NO.	SHEET NO.
AFE-E001	1
▲ CONTRACT I.D. M5TLOA	
▲ CONTRACT I.D.	
■ CONTRACT I.D.	

**INDEX OF SHEETS**

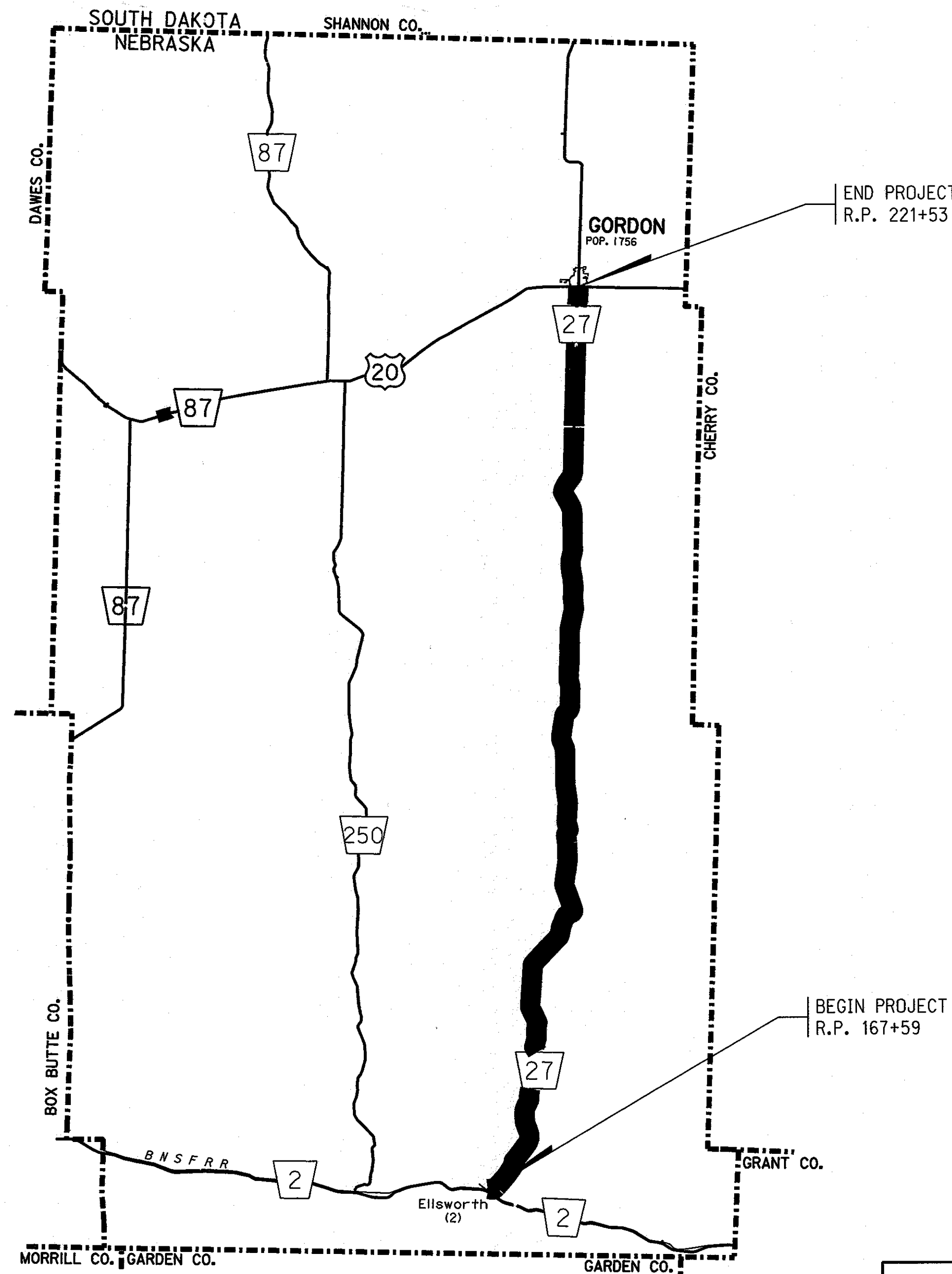
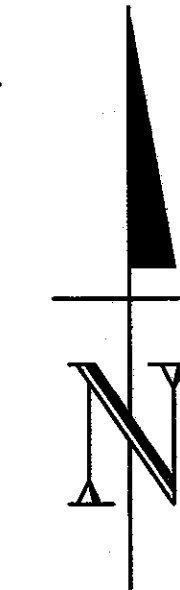
SHEET NO.	TITLE
1	TITLE PAGE
2-S	SUMMARY OF QUANTITIES & TYPICAL CROSS SECTION
3	TEMPORARY PAVEMENT MARKING PLAN
4	PAVEMENT MARKING DETAILS

**STANDARD PLANS**

920-R5	(2 SHEETS) TRAFFIC CONTROL, CONSTRUCTION AND MAINTENANCE
922-R8	(2 SHEETS) TRAFFIC CONTROL FOR ASPHALT SURFACING

**STATE OF NEBRASKA  
DEPARTMENT OF ROADS  
PLANS FOR CONSTRUCTION**

**HWY. 27 ELLSWORTH-GORDON  
SHERIDAN COUNTY**



THE WORK ON THIS PROJECT CONSISTS OF GROUPS

9-BITUMINOUS

▲ GROUPS 9	ARE INCLUDED
IN THE LETTING OF	APRIL 17, 2014
▲ GROUPS	ARE INCLUDED
IN THE LETTING OF	
■ GROUPS	ARE INCLUDED
IN THE LETTING OF	

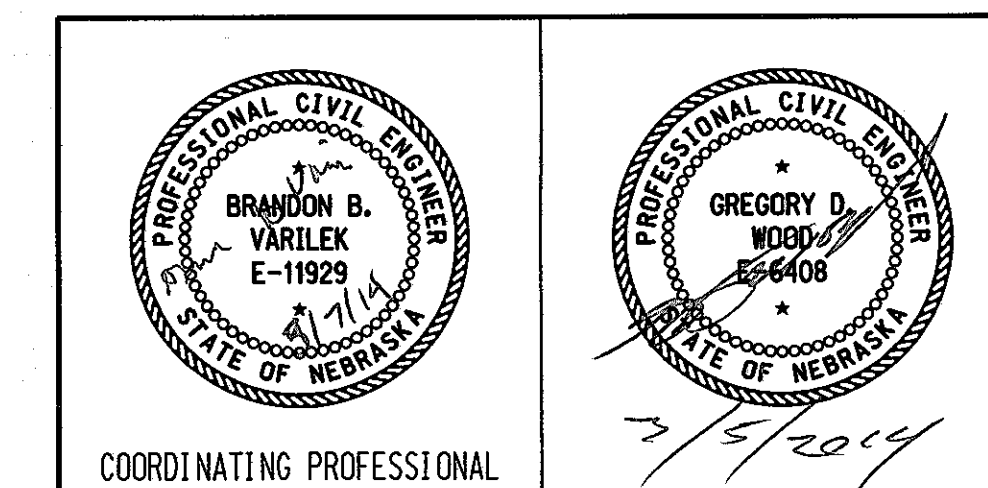
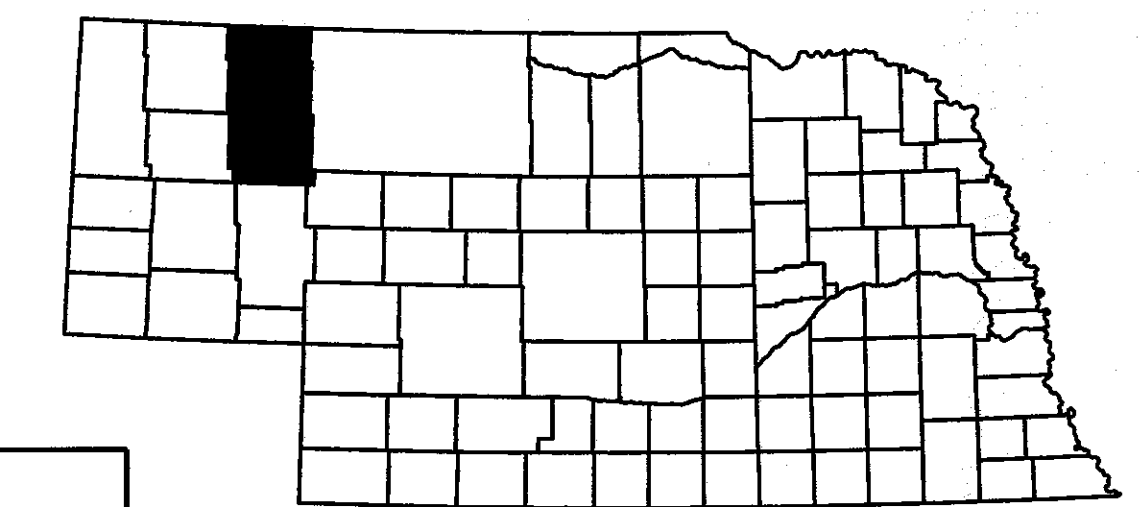
DESIGN DESIGNATION

MAINTENANCE

TRAFFIC

YEAR: 2014

ADT: 870



REFERENCE POST NO. 167+59 TO REFERENCE POST NO. 221+53

EXCEPTIONS: FROM STA. TO STA.

TOTAL NET LENGTH OF PROJECT: 284,803 FEET 53.94 MILES

CONSTRUCTION DIVISION

Computer: DRDESIGN88

User: dor13161

Date: 04-MAR-2014 10:25

File: m5tloc0psett1tie.dgn  
Scale: 1:100

**CONVENTIONAL SIGNS**

FENCE R.O.W. OR WIRE	
GUARDRAIL	
TRAVELED WAY	
DIKE	
CULVERT	
POWER POLE	
TELEPHONE POLE	
MAILBOX	
RAILROAD TRACKS	
MARSH	
TREE - CONIFEROUS	
TREE - DECIDUOUS	

**R.O.W. LEGEND**

NEW CONTROLLED ACCESS	
PREVIOUS CONTROLLED ACCESS	
LIMITS OF CONSTRUCTION	
PREVIOUS R.O.W.	
NEW R.O.W.	
EXISTING PERMANENT EASEMENT	
TEMPORARY EASEMENT	
EXCESS TAKING	
PERMANENT EASEMENT	
EXISTING RAILROAD EASEMENT	
NEW RAILROAD PERMANENT EASEMENT	
NEW RAILROAD TEMPORARY EASEMENT	

PROJECT NO.	SHEET NO.
AFE-E001	2-S

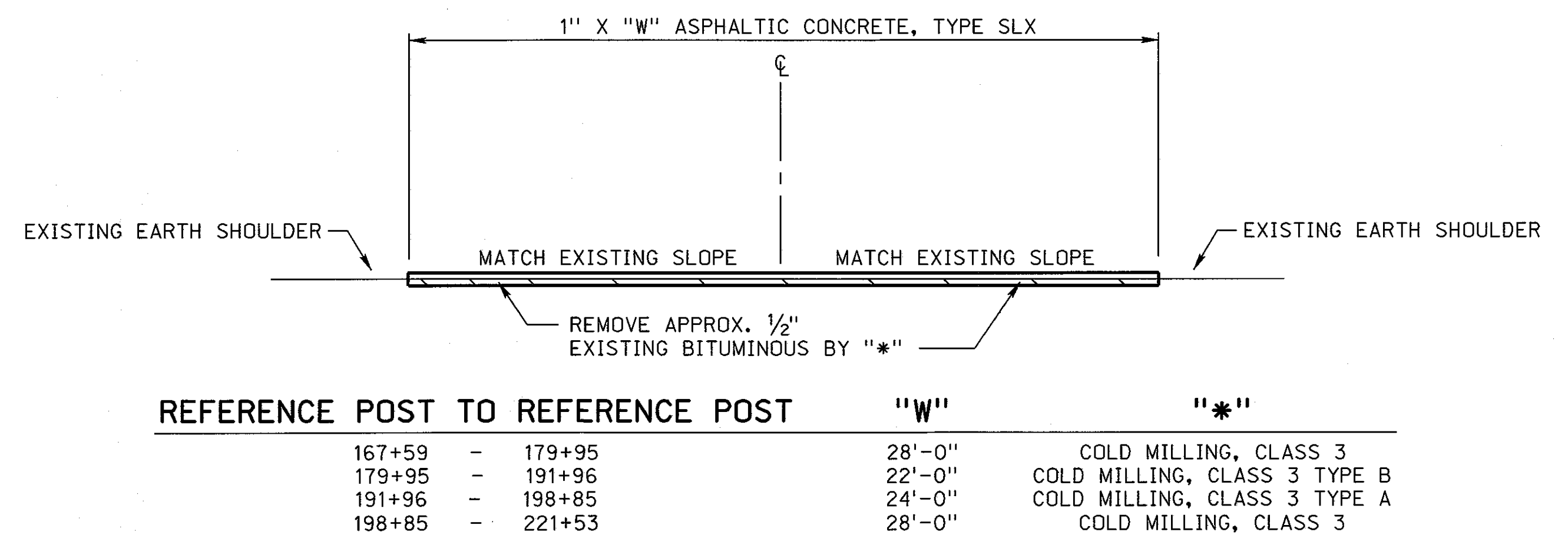
CONTRACT I.D. M5TLOA

# SUMMARY OF QUANTITIES

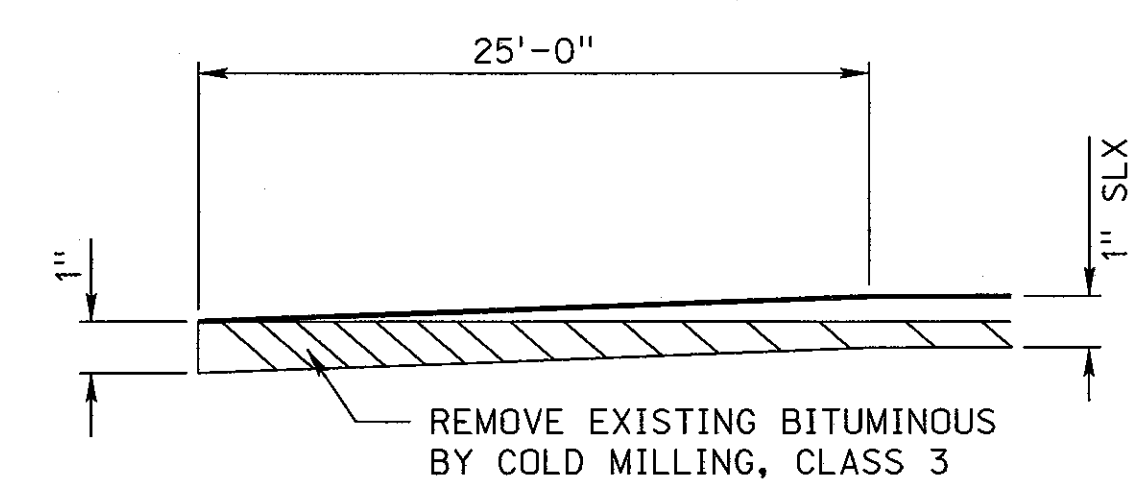
# TYPICAL CROSS SECTIONS

## BITUMINOUS SURFACING ITEMS GROUP 9

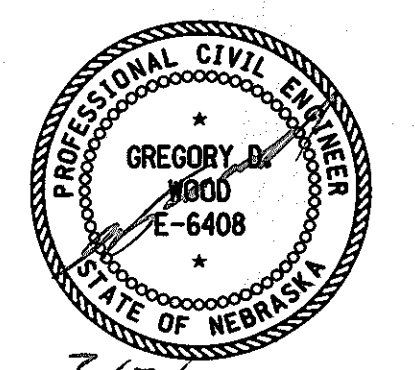
ITEM	QUANTITY	UNITS
BARRICADE, TYPE II	13,200.000	B DAY
BARRICADE, TYPE III	388.000	B DAY
TEMPORARY SIGN DAY	770.000	EACH
SIGN DAY	25,608.000	EACH
OVERLAY BROKEN LINES	5,696.000	STA
OVERLAY SOLID LINES	11,392.000	STA
FLAGGING	110.000	DAY
FURNISHING AND OPERATING PILOT VEHICLE	55.000	DAY
FIELD OFFICE	1.000	EACH
MOBILIZATION	1.000	LS
24" WHITE PREFORMED PAVEMENT MARKING	36.000	LF
RAILROAD CROSSING SYMBOL PREFORMED PAVEMENT MARKING	1.000	EACH
HYDRATED LIME/WARM MIX ASPHALT	45,980.000	EACH
ASPHALTIC CONCRETE, TYPE SLX	44,980.000	TON
ASPHALTIC CONCRETE FOR PATCHING, TYPE SLX	1,000.000	TON
PERFORMANCE GRADED BINDER (64-34)	1,931.160	TON
TACK COAT	124,220.000	GAL
FOG SEAL	500.000	GAL
RENTAL OF LOADER, FULLY OPERATED	50.000	HOUR
RENTAL OF MOTOR GRADER, FULLY OPERATED	50.000	HOUR
RENTAL OF DUMP TRUCK, FULLY OPERATED	50.000	HOUR
RENTAL OF SKID LOADER, FULLY OPERATED	50.000	HOUR
COLD MILLING, CLASS 3	1,850.112	STA
COLD MILLING, CLASS 3	363.792	STA
TYPE A		
COLD MILLING, CLASS 3	634.128	STA
TYPE B		
RAP INCENTIVE PAYMENT	78,166.000	EACH
ASPHALT PAVEMENT SMOOTHNESS TESTING	1.000	LS



TRANSITION DETAIL FROM EXISTING PAVEMENT TO NEW ASPHALTIC CONCRETE, TYPE SLX



TYPES OF ASPHALTIC OIL TO BE USED
TACK COAT: SS-1, SS-1H, CSS-1, OR CSS-1H FOG SEAL: SS-1H OR CSS-1H
PERFORMANCE GRADED BINDER
AASHTO DESIGNATION M320



3/7/2014

CONSTRUCTION DIVISION

Computer: DRDESIGN188

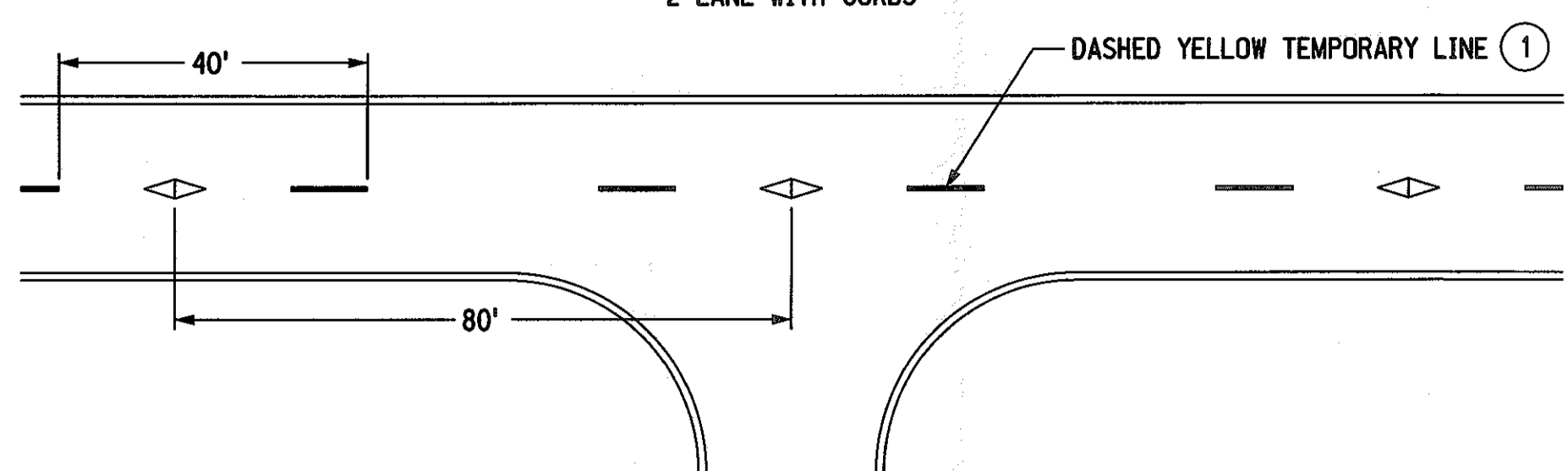
User: dor13161

Date: 07-MAR-2014 10:49

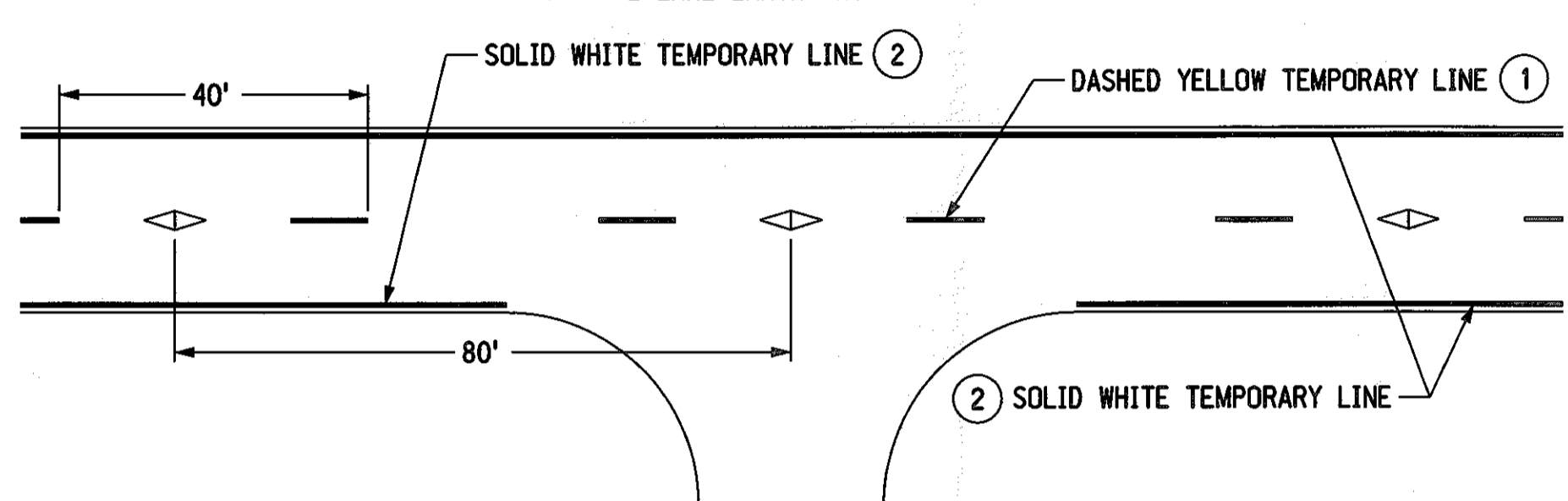
File: m5tloa0psett11e.dgn  
Scale: 1:100

### 2 LANE ROADWAYS

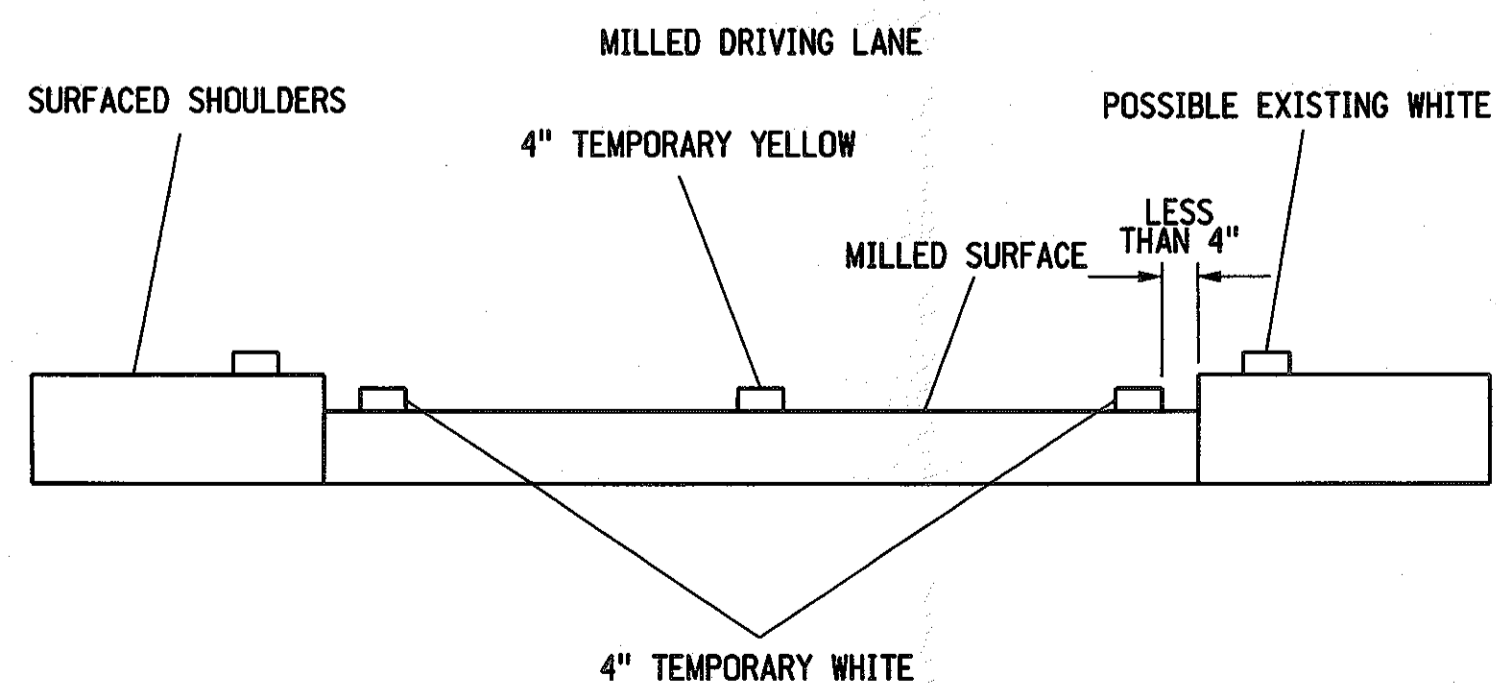
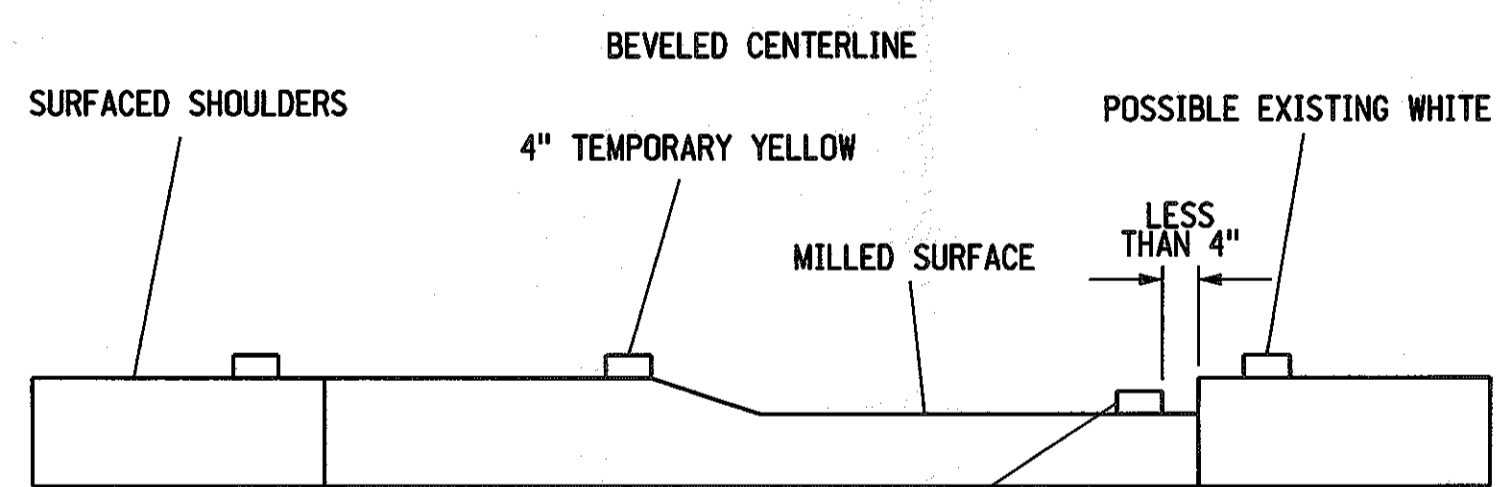
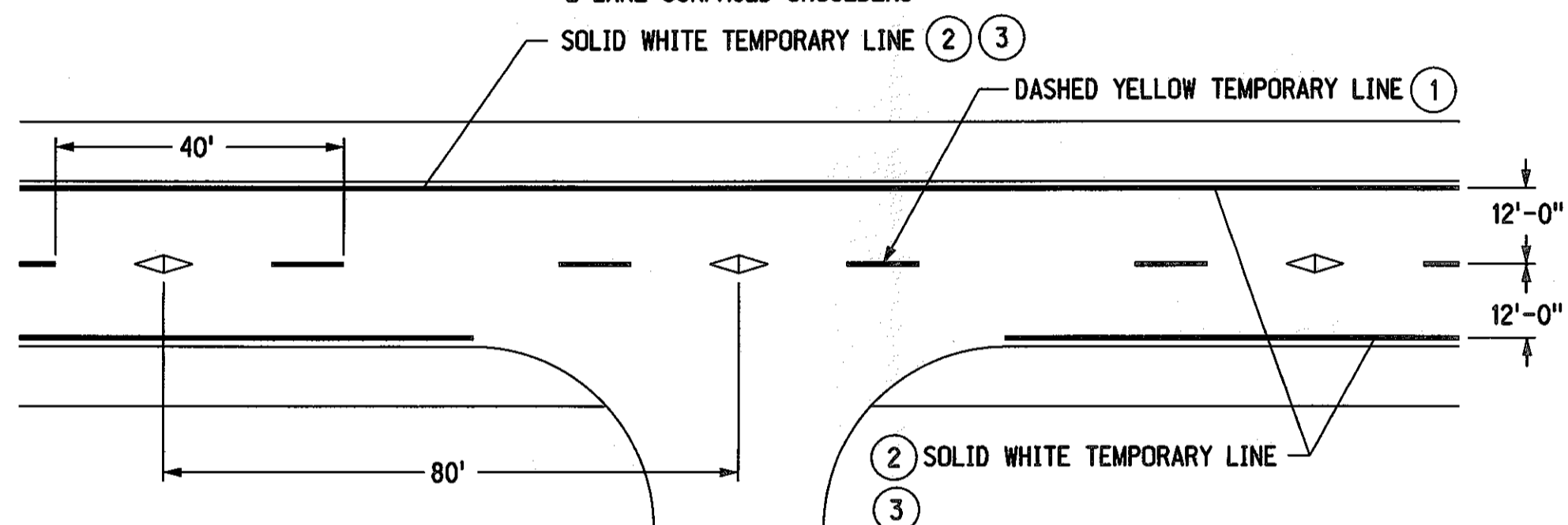
2 LANE WITH CURBS



2 LANE EARTH SHOULDERS

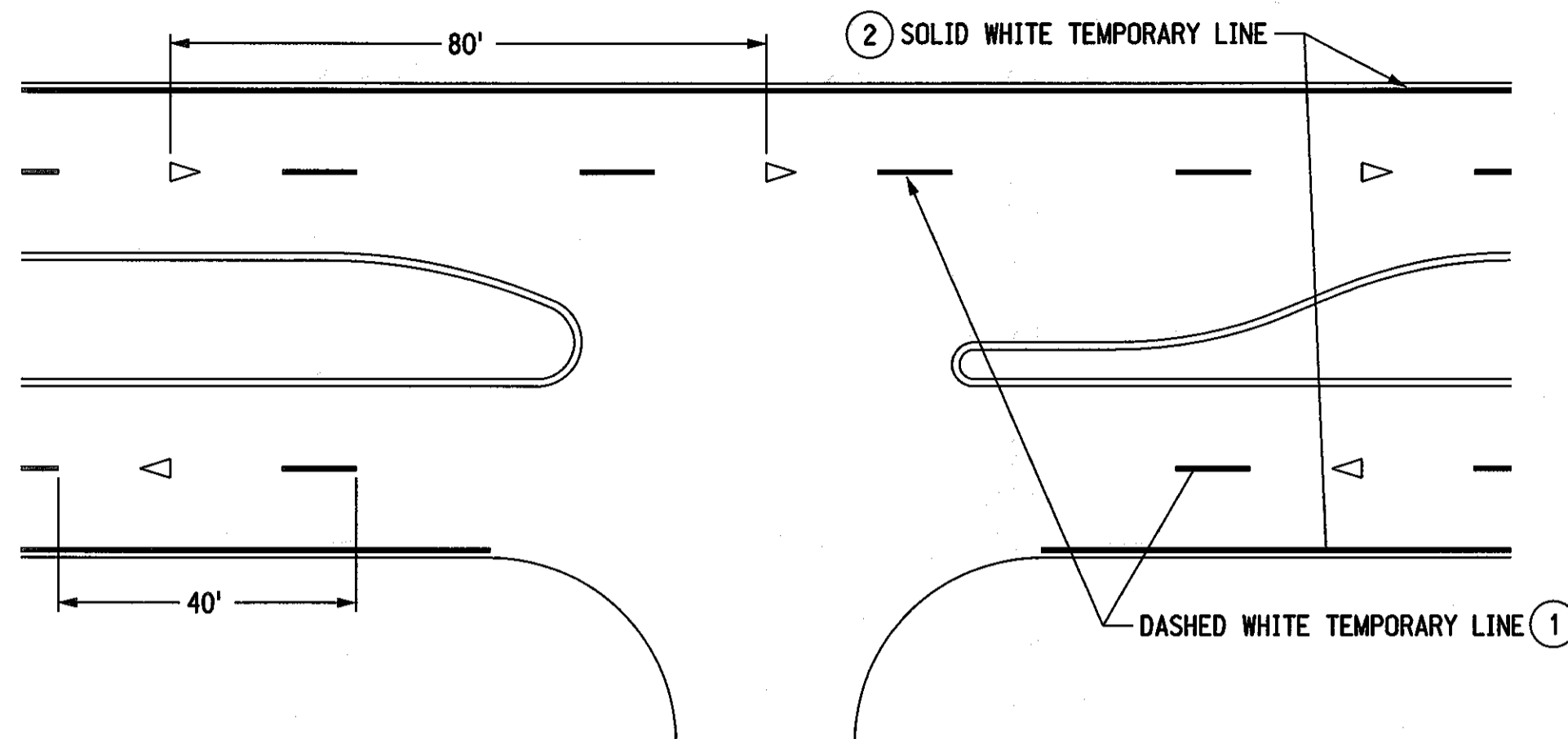


2 LANE SURFACED SHOULDERS

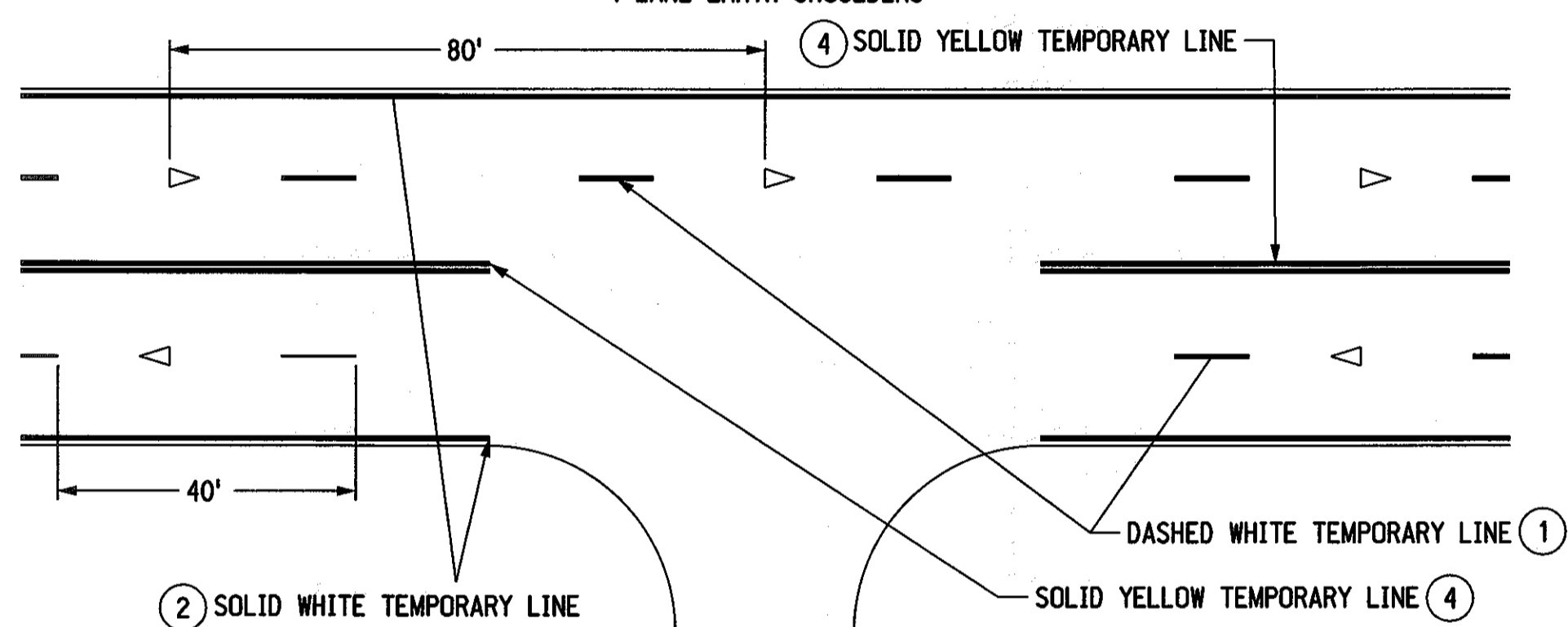


### 4 LANE ROADWAYS

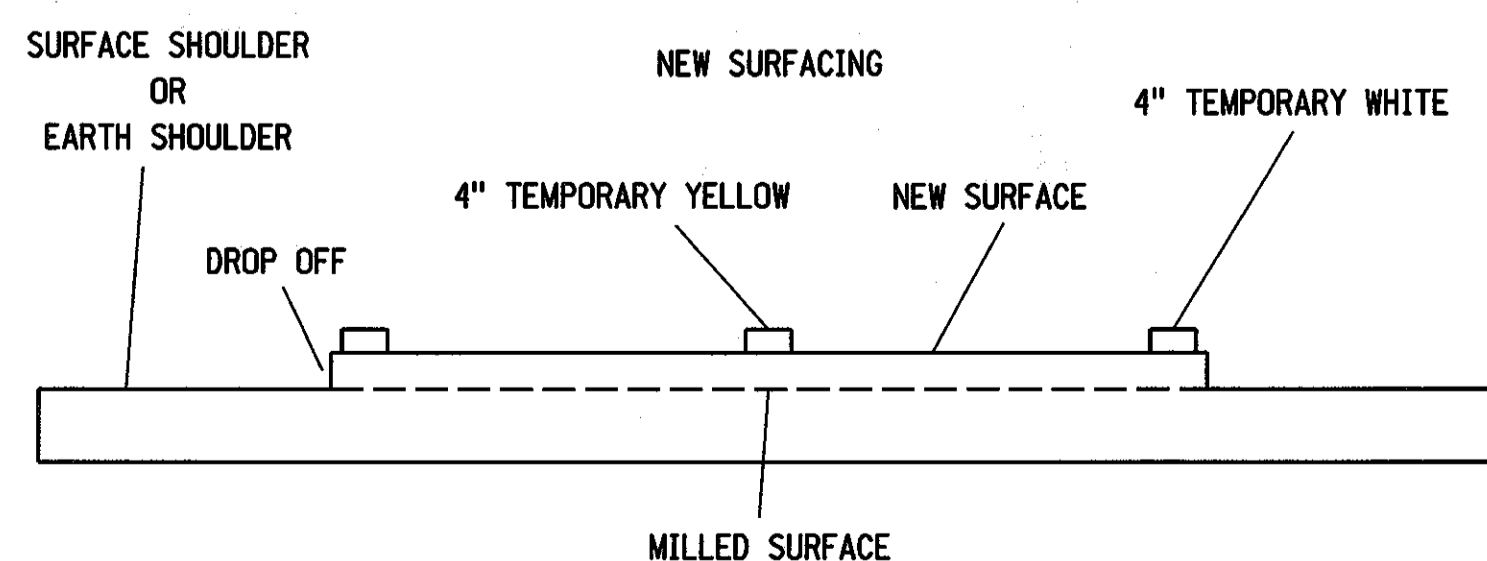
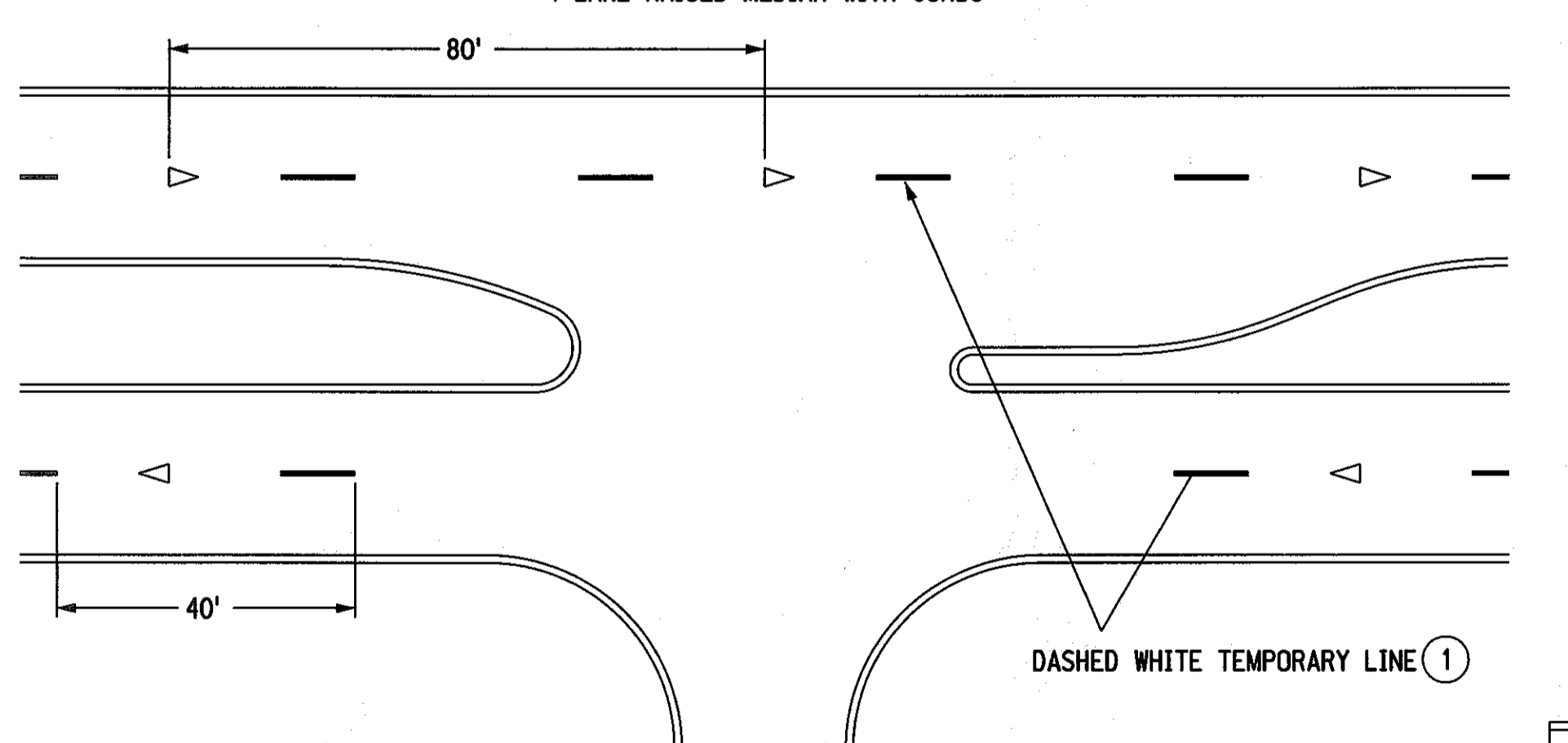
4 LANE RAISED MEDIAN EARTH SHOULDERS



4 LANE EARTH SHOULDERS

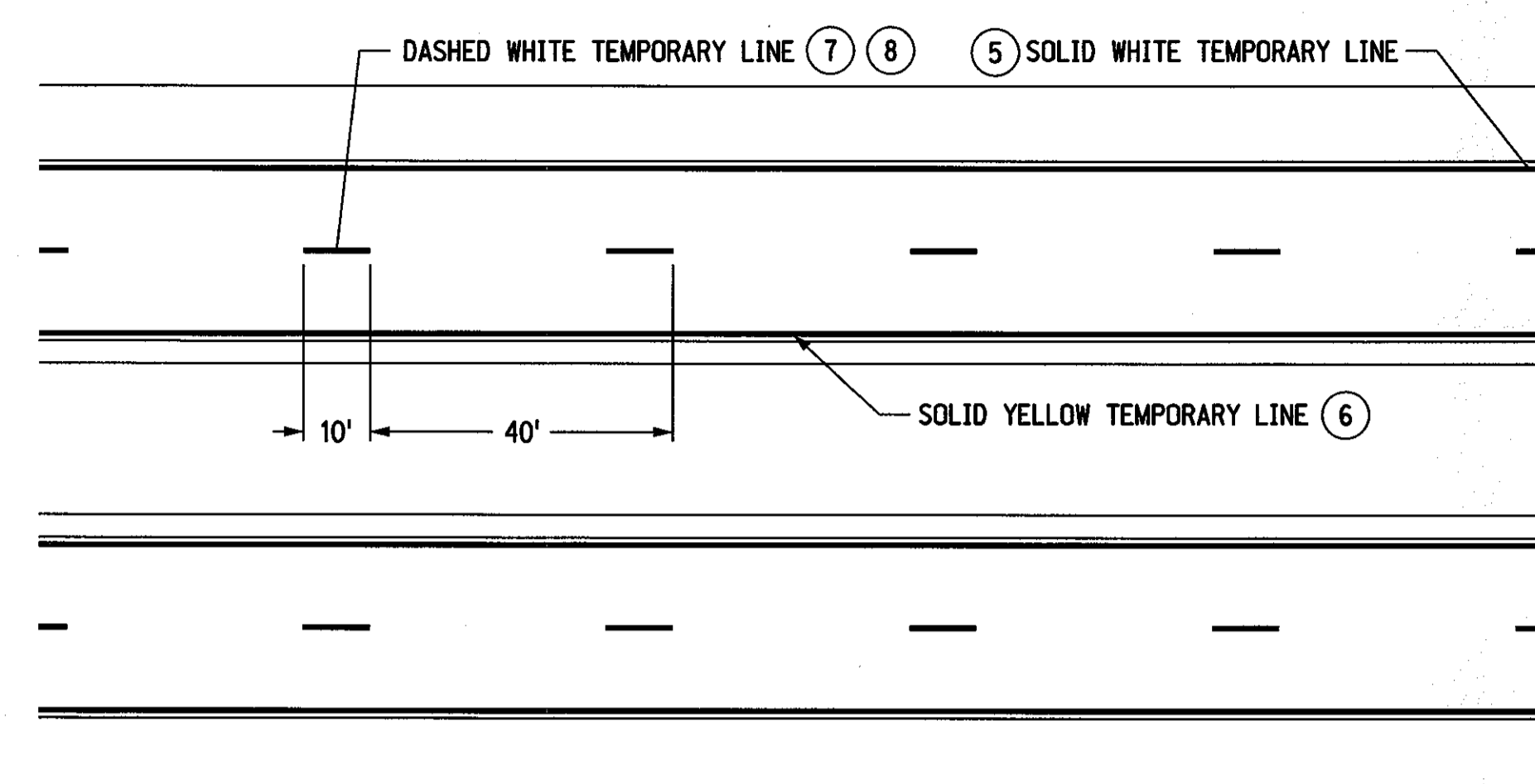


4 LANE RAISED MEDIAN WITH CURBS



### FREEWAY/RURAL EXPRESSWAY

4 LANE DEPRESSED MEDIAN WITH SURFACED SHOULDERS



### NOTES

- ① LOWER LAYERS: TEMPORARY DASHED LINE SHALL BE 4" X 10' PAINTED LINE AT 40' INTERVALS OR 4" X 4' TYPE I TAPE LINE AT 40' INTERVALS. TAPE OR PAINT WILL BE SUPPLEMENTED WITH AN OVERLAY MARKER EVERY 80 FEET.
  - OVERLAY MARKERS ARE NOT REQUIRED ON MILLED SURFACES, HYDRATED LIME SURFACES AND STABILIZED SURFACES.
- TOP LAYER: BROKEN LINE MARKINGS
  - INSTALL 4" X 4' TAPE AT 40' INTERVALS SUPPLEMENTED WITH AN OVERLAY MARKER EVERY 80 FEET.
  - OR USE NO TAPE, BUT INSTALL 2 RAISED PAVEMENT MARKERS SPACED 5' APART AT 40' INTERVALS.
- SOLID LINE MARKINGS
  - 4" WIDE PAINTED LINE OR PAVEMENT MARKING TAPE. RAISED PAVEMENT MARKERS MAY BE USED IN LIEU OF PAINT OR TAPE, INSTALLED AT 10' INTERVALS.
- ARMOR COATS  
FOG SEALS: 2 OVERLAY MARKERS 5' APART, PER 40 FOOT CYCLE (NO PAINT OR TAPE).
- ② TEMPORARY SOLID LINE SHALL BE 4" WIDE PAINTED LINE.
- ③ EDGE LINE SHALL BE PLACED SO THAT THE OUTSIDE EDGE OF PAINT IS THE REQUIRED DISTANCE FROM CENTERLINE ON THE TOP LIFT
- ④ TEMPORARY CENTERLINE SHALL BE TWO 4" PAINTED LINES SPACED 4" APART, CENTERED ABOUT THE JOINT LINE.
- ⑤ EDGELINE SHALL BE 4" PAINTED LINE. PLACED TO THE LEFT OF JOINT LINE.
- ⑥ ALL LAYERS: EDGELINE SHALL BE PLACED 12'-0" FROM THE CENTER JOINT LINE. (RIGHT OF SHOULDER JOINT LINE WHEN APPLICABLE)
- ⑦ MILLED SURFACE OR LOWER LIFTS: THE TEMPORARY WHITE DASH LINE SHALL BE 4" X 10' MINIMUM PAINTED LINE AT 40' INTERVALS, PLACED TO THE LEFT OF THE JOINT LINE.
- ⑧ TOP LIFT: THE TEMPORARY WHITE DASH LINE SHALL BE 4" IN WIDTH X MINIMUM 8' TO MAXIMUM 10' LENGTH, PLACED 2" TO THE LEFT OF THE JOINT LINE. THE INTERVAL (CYCLE) SHALL BE 40' ± 2" TO ALLOW FOR THE PERMANENT PAVEMENT MARKING.
- ⑨ ALL TEMPORARY PAVEMENT MARKING THAT WILL BE COVERED BY PERMANENT PAVEMENT MARKING SHALL COMPLY WITH THE ALIGNMENT AND LOCATION REQUIREMENTS OF THE FINAL PAVEMENT MARKING MATERIAL. TEMPORARY PAVEMENT MARKINGS THAT ARE NOT COVERED BY THE PERMANENT MARKINGS SHALL BE REMOVED AT THE CONTRACTOR'S EXPENSE.

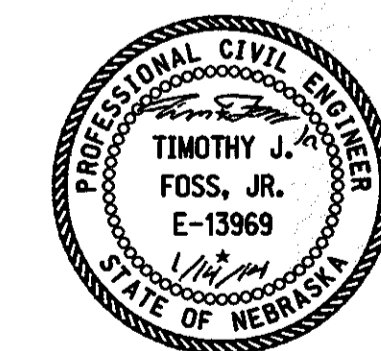
2 LANE ROADWAY REQUIRED LOCATION FOR PAINTED LINES, IF USED ON THE TOP LAYER		
ROADWAY WIDTH	SHOULDER TYPE	DISTANCE FROM C OF ROADWAY TO OUTSIDE EDGE OF PAVEMENT
LESS THAN 24'	SURFACED	EDGE OF LANE
LESS THAN 24'	EARTH	PAVEMENT EDGE
24'	EARTH	PAVEMENT EDGE
24'	SURFACED	12'-0" *
24' TO 28'	EARTH	12'-0" *

\* SEE NOTE 3

CENTERLINE MARKING SHALL BE PLACED ON THE "SOUTH" SIDE OF THE CENTER JOINT ON EAST-WEST ROADS AND ON THE "EAST" SIDE OF THE CENTER JOINT ON NORTH-SOUTH ROADS

### LEGEND

- ◁ OVERLAY MARKER
- ◁ BIDIRECTIONAL OVERLAY MARKER



### NEBRASKA DEPARTMENT OF ROADS TRAFFIC ENGINEERING DIVISION

#### TYPICAL PAVEMENT MARKING

DESIGNED	DV	TEMPORARY PAVEMENT MARKING PLAN	1/1
REVIEWED	MAN	TRAFFIC ENGINEER	
DATE DRAWN	8/06		DATE

