

PROJECT NO.	SHEET NO.
AFE-B006	1
▲ CONTRACT I.D. M2TLOF	
▲ CONTRACT I.D.	
■ CONTRACT I.D.	

**INDEX OF SHEETS**

SHEET NO.	
1	TITLE PAGE
2-S	SUMMARY OF QUANTITIES & TYPICAL CROSS SECTION
3	TEMPORARY PAVEMENT MARKING PLAN

**STANDARD PLANS**

920-R5	(2 SHEETS) TRAFFIC CONTROL, CONSTRUCTION AND MAINTENANCE
922-R8	(2 SHEETS) TRAFFIC CONTROL FOR ASPHALT SURFACING

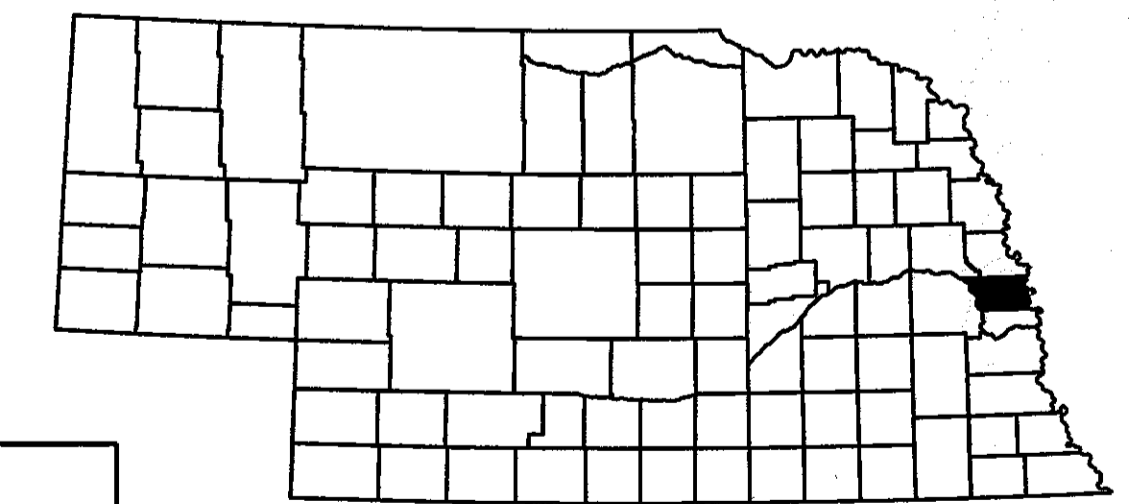
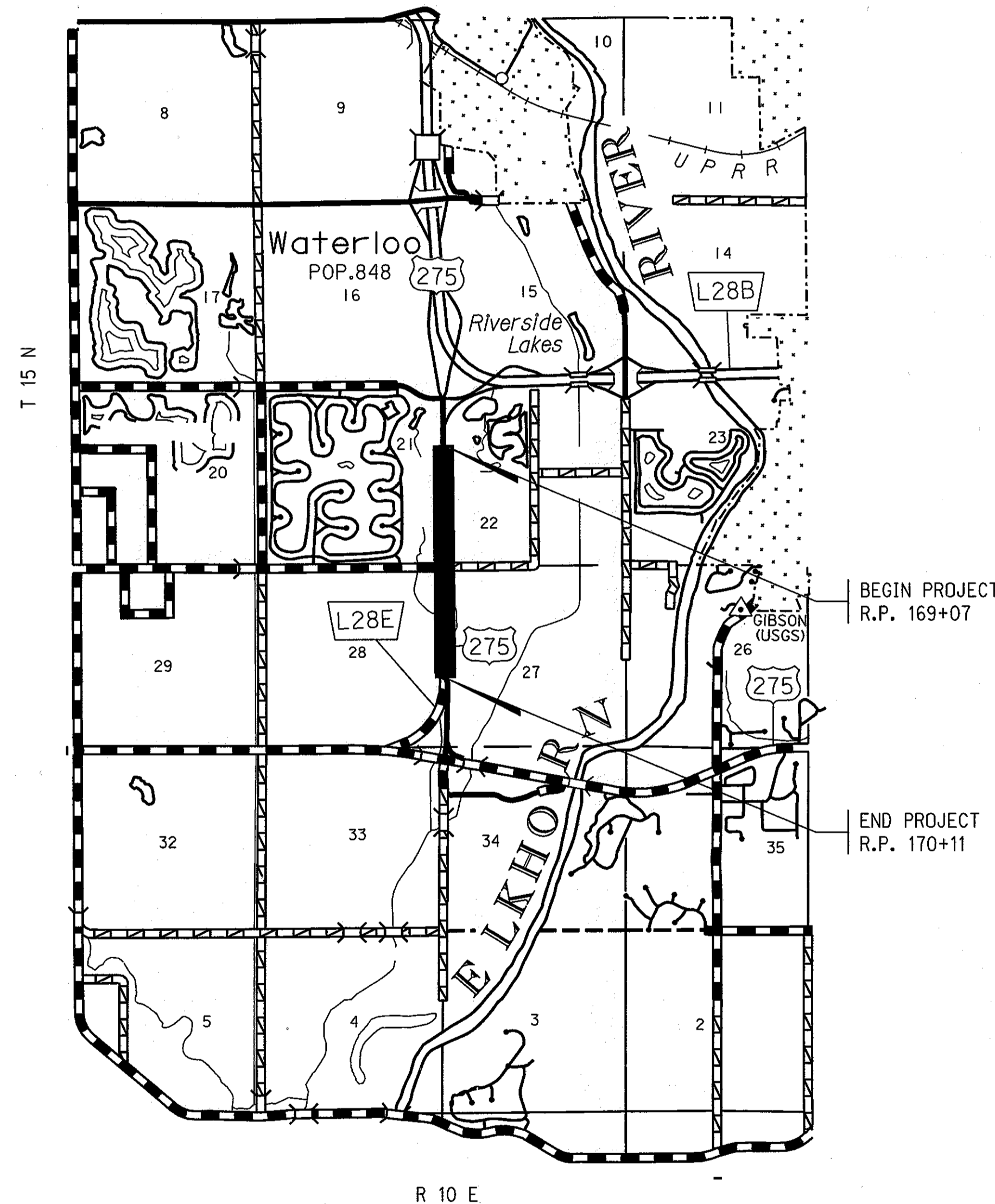
**STATE OF NEBRASKA  
DEPARTMENT OF ROADS  
PLANS FOR CONSTRUCTION  
HWY 275 L28B - L28E  
DOUGLAS COUNTY**



THE 2007 EDITION OF THE NEBRASKA STANDARD SPECIFICATIONS AND THE SPECIAL PROVISIONS APPLY TO THIS PROJECT.

THE WORK ON THIS PROJECT CONSISTS OF GROUPS	
9-BITUMINOUS	
▲ GROUPS 9	ARE INCLUDED
IN THE LETTING OF APRIL 17, 2014	
▲ GROUPS	ARE INCLUDED
IN THE LETTING OF	
■ GROUPS	ARE INCLUDED
IN THE LETTING OF	

DESIGN DESIGNATION
MAINTENANCE
TRAFFIC
YEAR: 2014
ADT: 6085



**CONVENTIONAL SIGNS**

FENCE R.O.W. OR WIRE	
GUARDRAIL	
TRAVELED WAY	
DIKE	
CULVERT	
POWER POLE	
TELEPHONE POLE	
MAILBOX	
RAILROAD TRACKS	
MARSH	
TREE - CONIFEROUS	
TREE - DECIDUOUS	

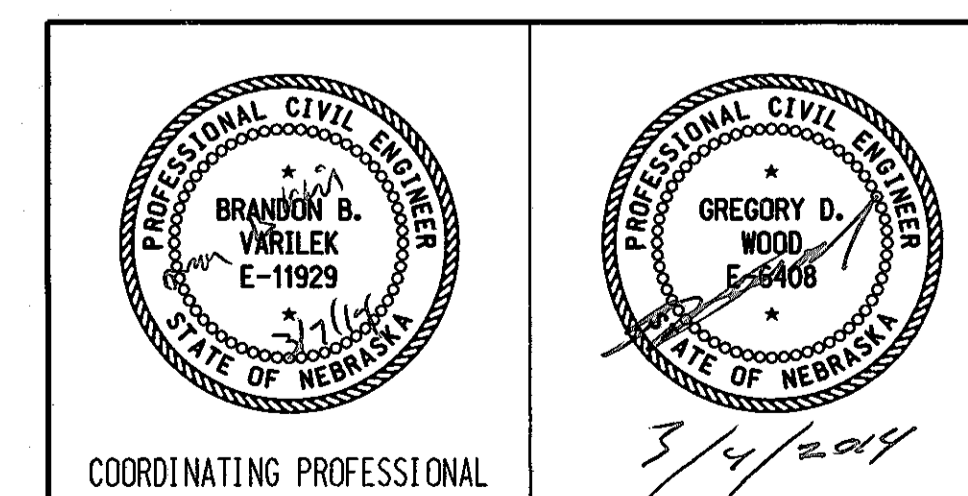
**R.O.W. LEGEND**

NEW CONTROLLED ACCESS	
PREVIOUS CONTROLLED ACCESS	
LIMITS OF CONSTRUCTION	
PREVIOUS R.O.W.	
NEW R.O.W.	
EXISTING PERMANENT EASEMENT	
TEMPORARY EASEMENT	
EXCESS TAKING	
PERMANENT EASEMENT	
EXISTING RAILROAD EASEMENT	
NEW RAILROAD PERMANENT EASEMENT	
NEW RAILROAD TEMPORARY EASEMENT	

REFERENCE POST NO. 169+07 TO REFERENCE POST NO. 170+11

EXCEPTIONS: FROM STA. TO STA.

TOTAL NET LENGTH OF PROJECT: 5,491 FEET 1.04 MILES



CONSTRUCTION DIVISION

Computer: DRDESIGN188

User: dor13161

Date: 28-FEB-2014 15:28

File: m21ofopse11file.dgn  
Scale: 1:100

PROJECT NO.	SHEET NO.
AFE-B006	2-S

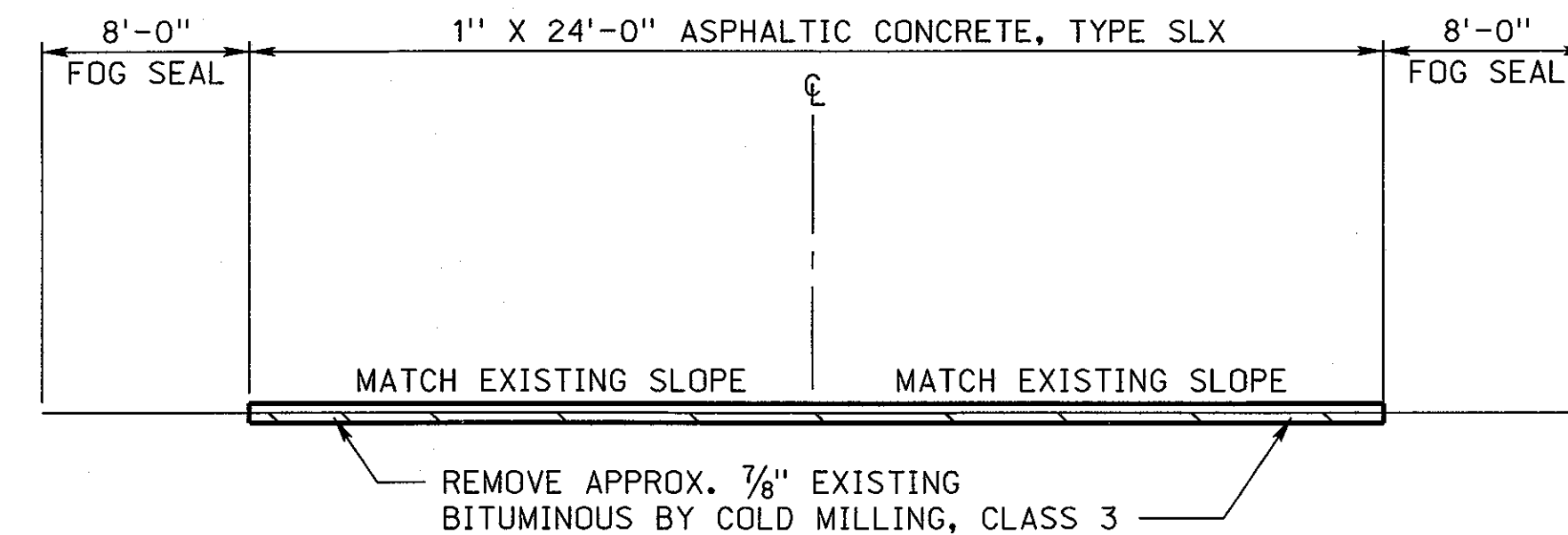
CONTRACT I.D. M2TLOF

# SUMMARY OF QUANTITIES

# TYPICAL CROSS SECTIONS

## BITUMINOUS SURFACING ITEMS GROUP 9

ITEM	QUANTITY	UNITS
BARRICADE, TYPE II	275.000	B DAY
BARRICADE, TYPE III	24.000	B DAY
TEMPORARY SIGN DAY	70.000	EACH
SIGN DAY	198.000	EACH
OVERLAY BROKEN LINES	110.000	STA
OVERLAY SOLID LINES	220.000	STA
FLAGGING	10.000	DAY
FURNISHING AND OPERATING PILOT VEHICLE	5.000	DAY
MOBILIZATION	1.000	LS
HYDRATED LIME/WARM MIX ASPHALT	850.000	EACH
ASPHALTIC CONCRETE, TYPE SLX	800.000	TON
ASPHALTIC CONCRETE FOR PATCHING, TYPE SLX	50.000	TON
PERFORMANCE GRADED BINDER (64-34)	35.700	TON
TACK COAT	2,200.000	GAL
FOG SEAL	980.000	GAL
RENTAL OF LOADER, FULLY OPERATED	50.000	HOUR
RENTAL OF MOTOR GRADER, FULLY OPERATED	50.000	HOUR
RENTAL OF DUMP TRUCK, FULLY OPERATED	50.000	HOUR
RENTAL OF SKID LOADER, FULLY OPERATED	50.000	HOUR
COLD MILLING, CLASS 3	54.912	STA
RAP INCENTIVE PAYMENT	1,445.000	EACH
ASPHALT PAVEMENT SMOOTHNESS TESTING	1.000	LS



### REFERENCE POST TO REFERENCE POST

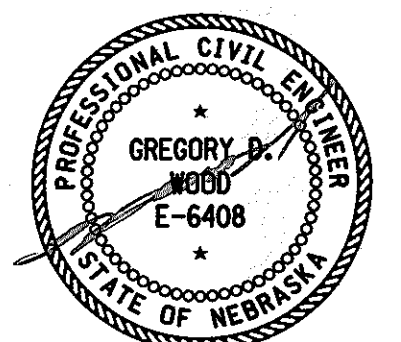
HWY. 275 169+07 - 170+11

#### TYPES OF ASPHALTIC OIL TO BE USED

TACK COAT: SS-1, SS-1H, CSS-1, OR CSS-1H  
FOG SEAL: SS-1H OR CSS-1H

#### PERFORMANCE GRADED BINDER

AASHTO DESIGNATION M320



3/4/2014

CONSTRUCTION DIVISION

Computer: DRDESIGN88

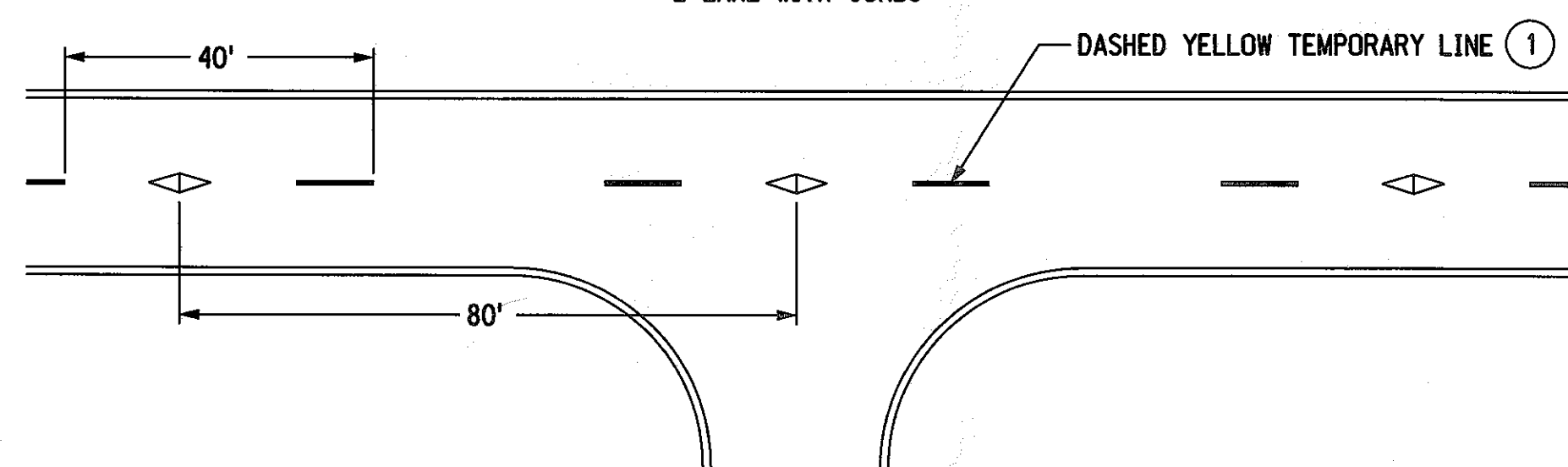
User: dor13161

Date: 28-FEB-2014 15:28

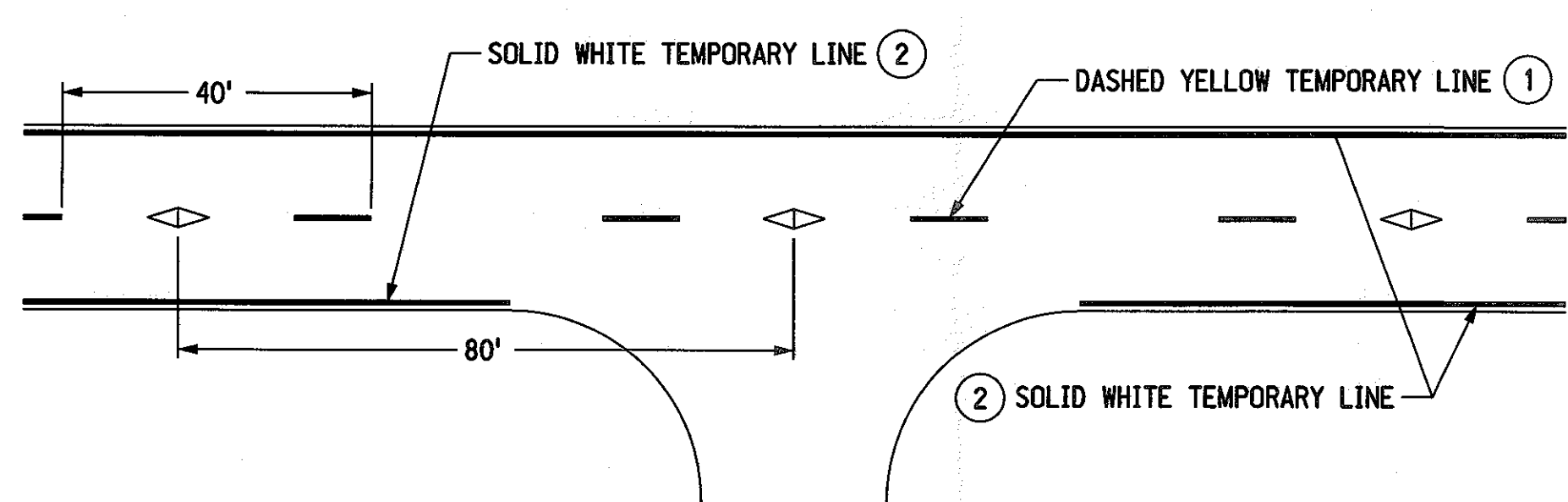
File: m2tlofopset11e.dgn  
Scale: 1:100

### 2 LANE ROADWAYS

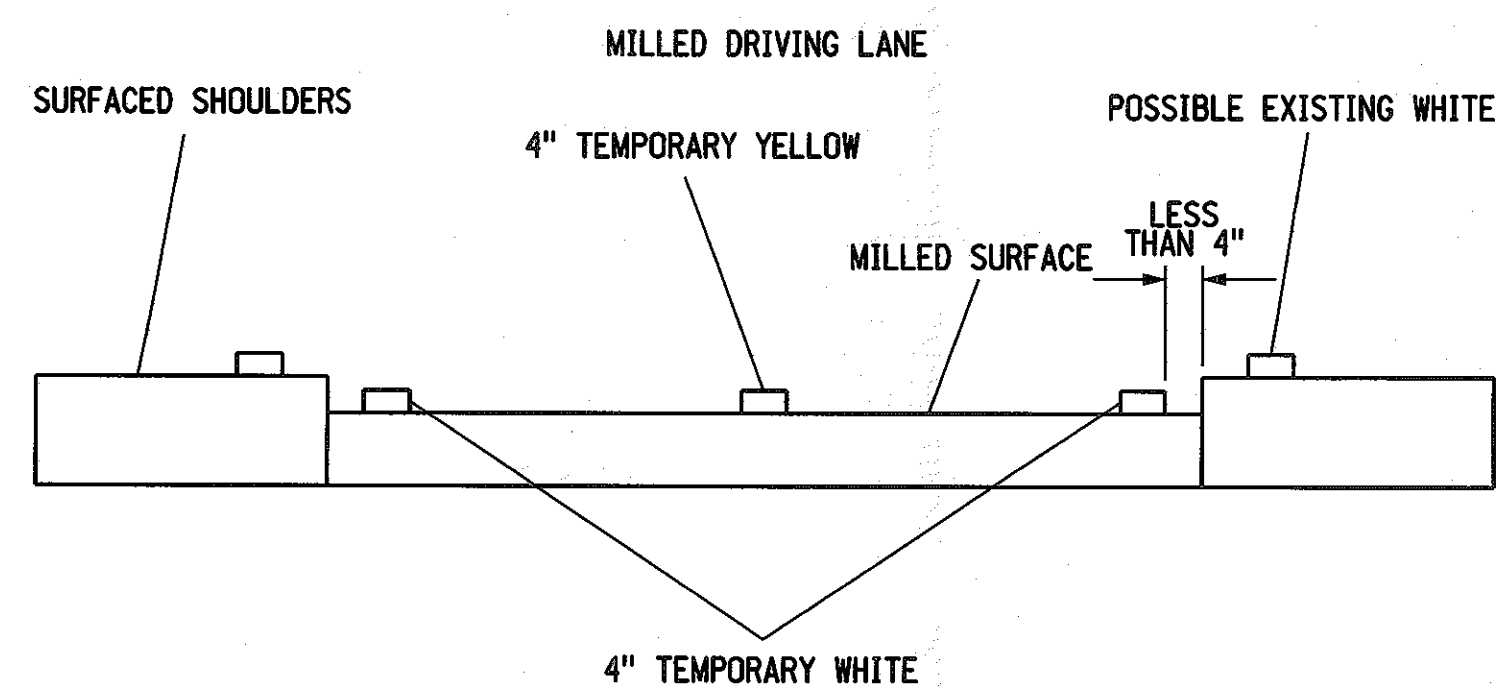
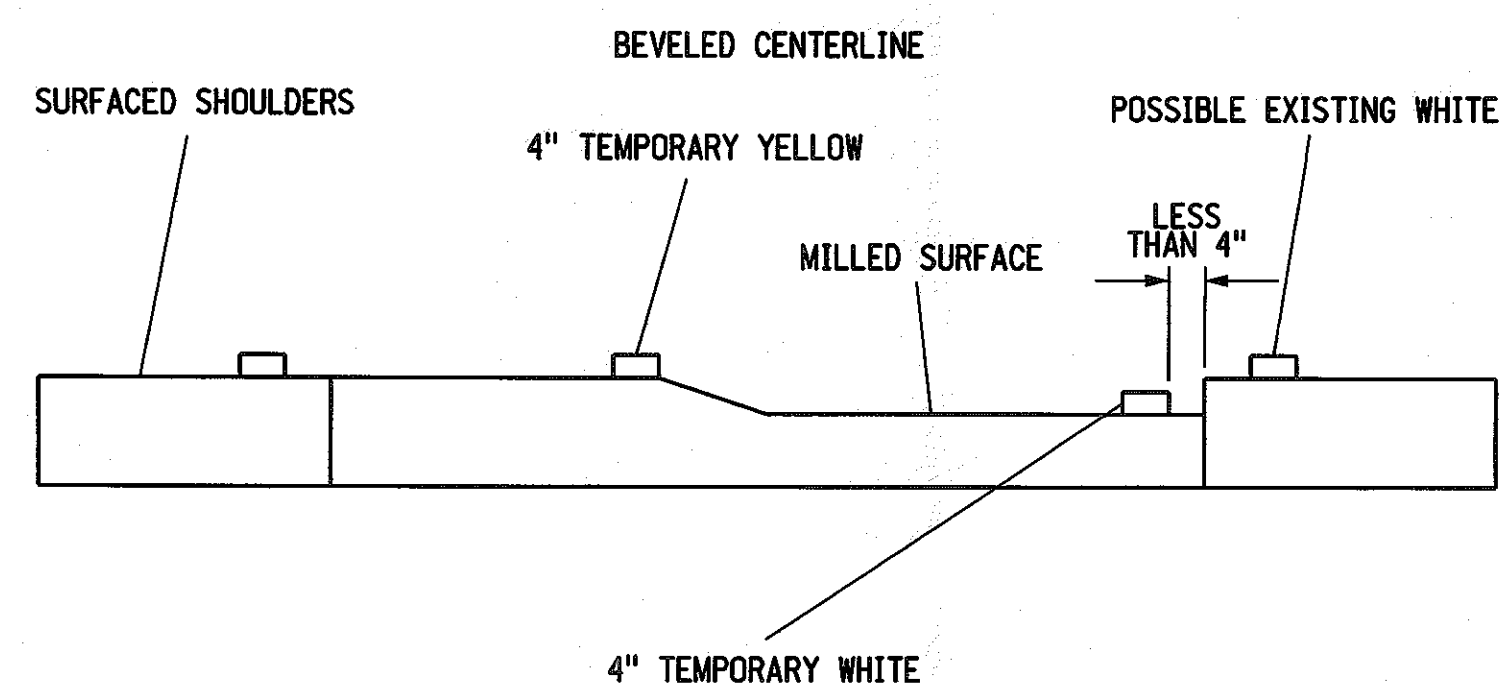
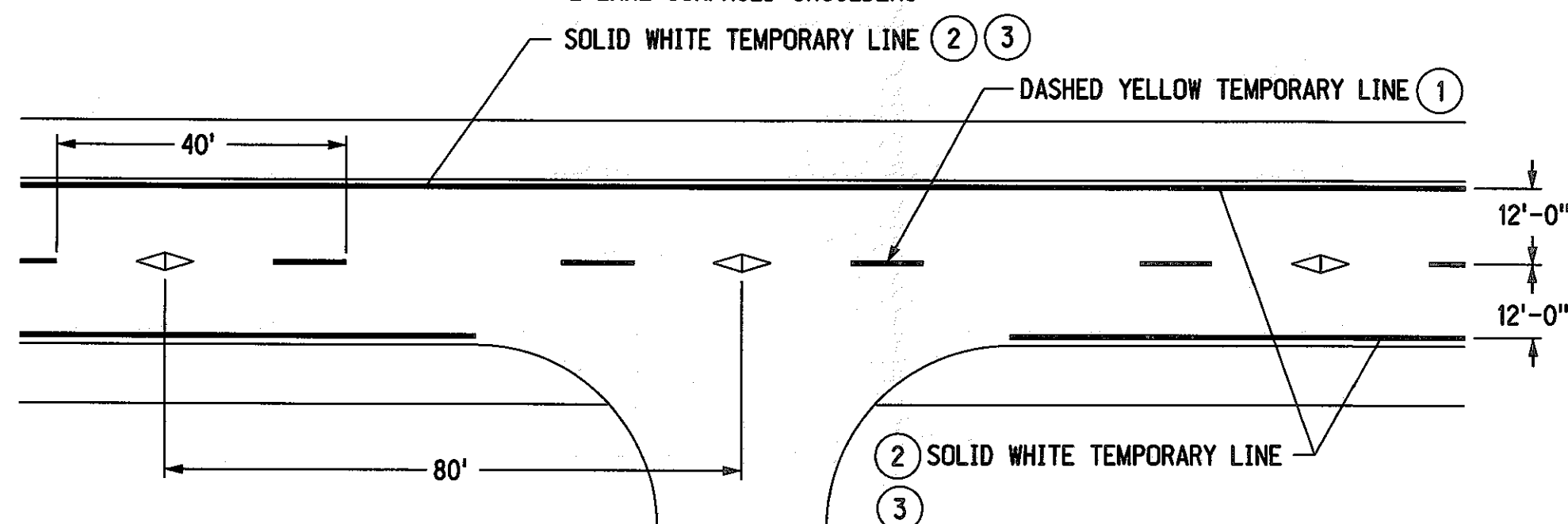
2 LANE WITH CURBS



2 LANE EARTH SHOULDERS

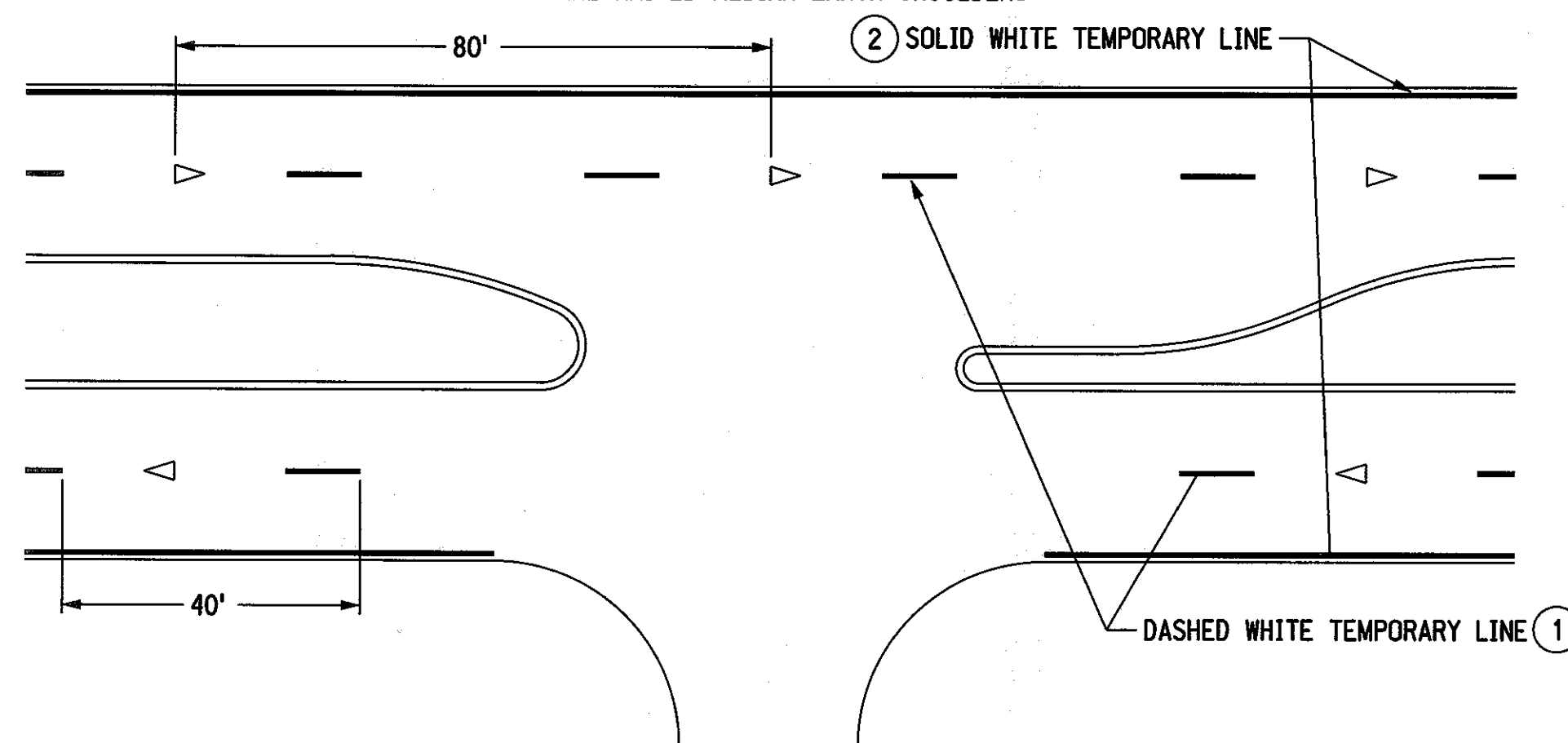


2 LANE SURFACED SHOULDERS

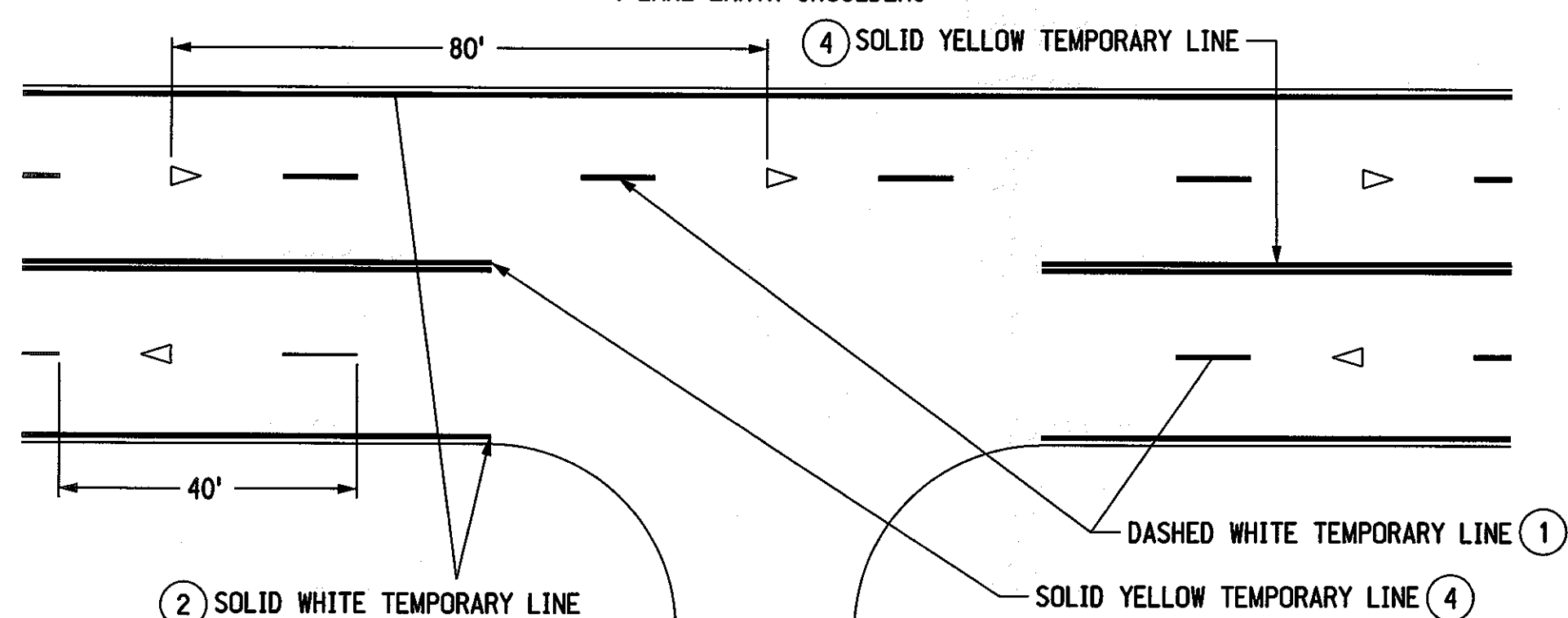


### 4 LANE ROADWAYS

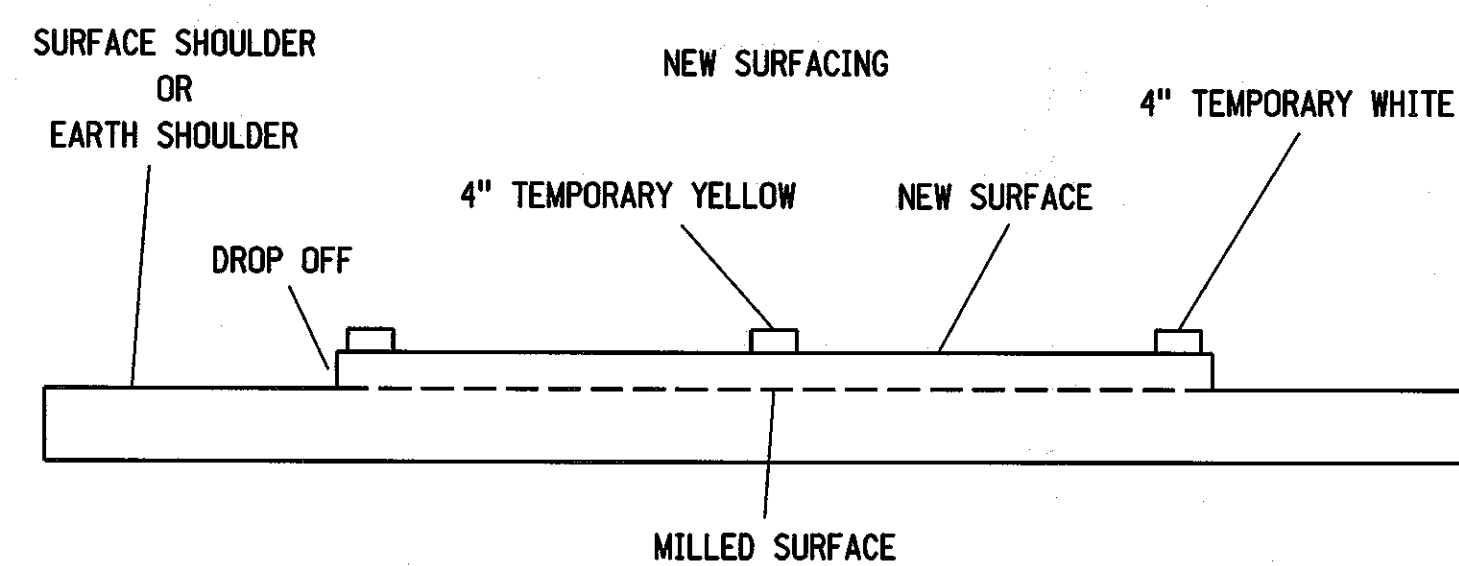
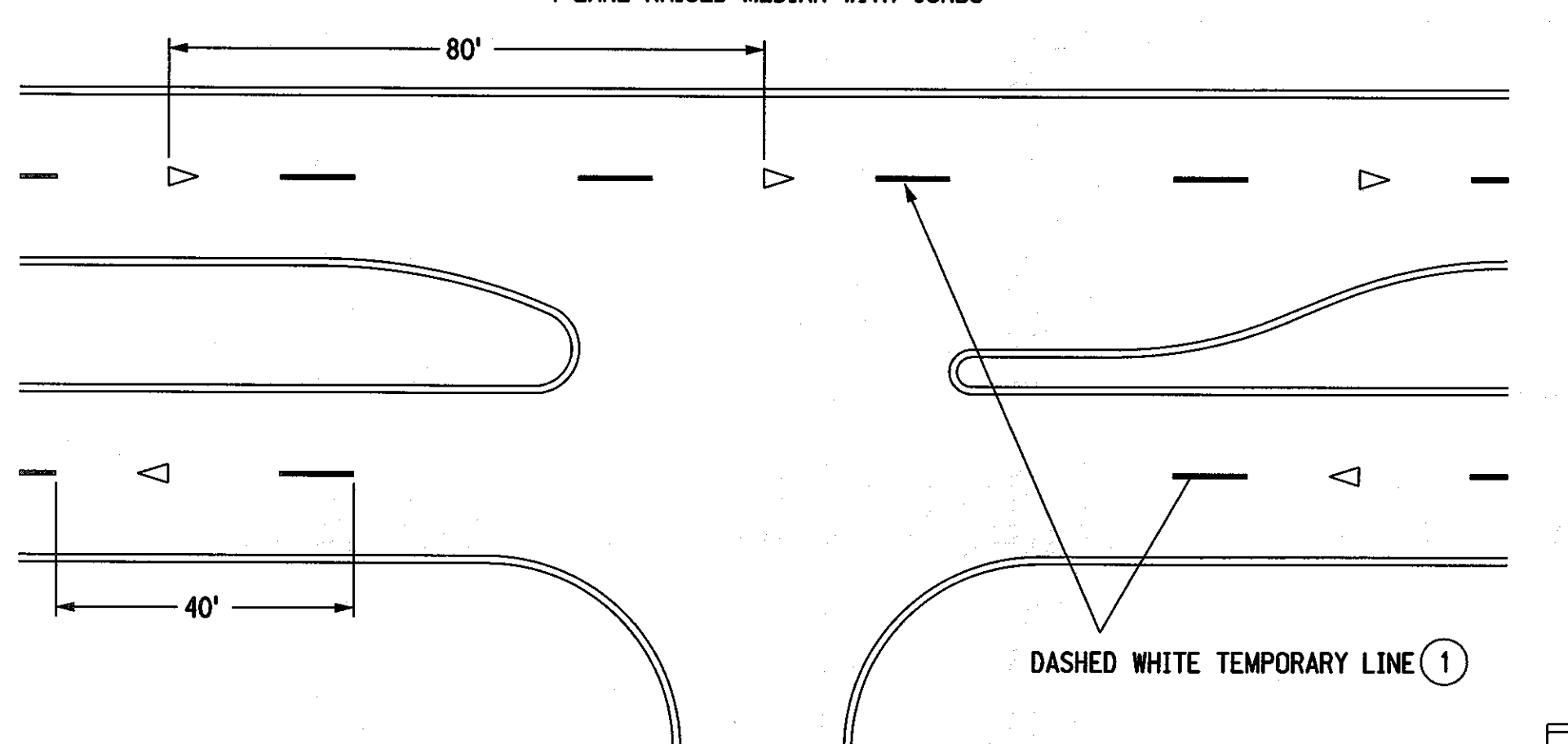
4 LANE RAISED MEDIAN EARTH SHOULDERS



4 LANE EARTH SHOULDERS

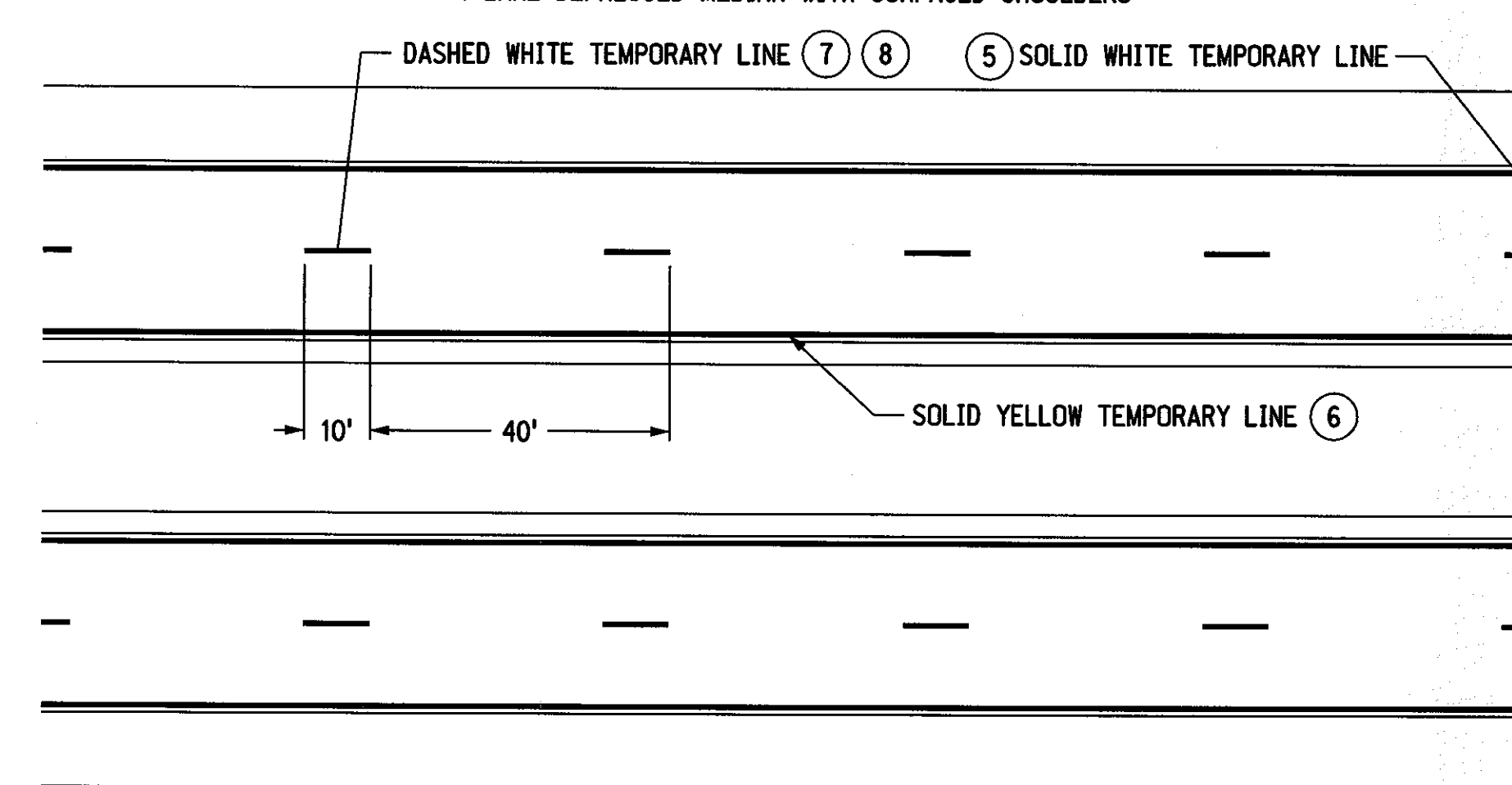


4 LANE RAISED MEDIAN WITH CURBS



### FREEWAY/RURAL EXPRESSWAY

4 LANE DEPRESSED MEDIAN WITH SURFACED SHOULDERS



### NOTES

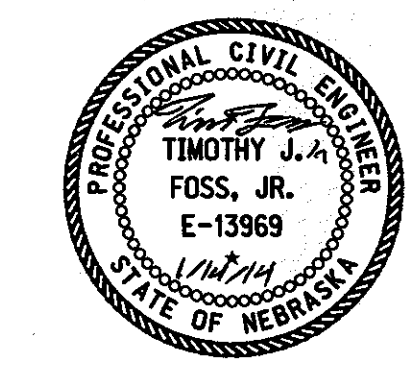
- ① LOWER LAYERS: TEMPORARY DASHED LINE SHALL BE 4" X 10' PAINTED LINE AT 40' INTERVALS OR 4" X 4' TYPE I TAPE LINE AT 40' INTERVALS. TAPE OR PAINT WILL BE SUPPLEMENTED WITH AN OVERLAY MARKER EVERY 80 FEET.
  - OVERLAY MARKERS ARE NOT REQUIRED ON MILLED SURFACES, HYDRATED LIME SURFACES AND STABILIZED SURFACES.
- TOP LAYER:
  - BROKEN LINE MARKINGS
    - INSTALL 4" X 4' TAPE AT 40' INTERVALS SUPPLEMENTED WITH AN OVERLAY MARKER EVERY 80 FEET.
    - OR USE NO TAPE, BUT INSTALL 2 RAISED PAVEMENT MARKERS SPACED 5' APART AT 40' INTERVALS.
  - SOLID LINE MARKINGS
    - 4" WIDE PAINTED LINE OR PAVEMENT MARKING TAPE. RAISED PAVEMENT MARKERS MAY BE USED IN LIEU OF PAINT OR TAPE, INSTALLED AT 10' INTERVALS.
- ARMOR COATS  
FOG SEALS: 2 OVERLAY MARKERS 5' APART, PER 40 FOOT CYCLE (NO PAINT OR TAPE).
- ② TEMPORARY SOLID LINE SHALL BE 4" WIDE PAINTED LINE.
- ③ EDGE LINE SHALL BE PLACED SO THAT THE OUTSIDE EDGE OF PAINT IS THE REQUIRED DISTANCE FROM CENTERLINE ON THE TOP LIFT
- ④ TEMPORARY CENTERLINE SHALL BE TWO 4" PAINTED LINES SPACED 4" APART, CENTERED ABOUT THE JOINT LINE.
- ⑤ EDGELINE SHALL BE 4" PAINTED LINE. PLACED TO THE LEFT OF JOINT LINE.
- ⑥ ALL LAYERS: EDGELINE SHALL BE PLACED 12'-0" FROM THE CENTER JOINT LINE. (RIGHT OF SHOULDER JOINT LINE WHEN APPLICABLE)
- ⑦ MILLED SURFACE OR LOWER LIFTS: THE TEMPORARY WHITE DASH LINE SHALL BE 4" X 10' MINIMUM PAINTED LINE AT 40' INTERVALS, PLACED TO THE LEFT OF THE JOINT LINE.
- ⑧ TOP LIFT: THE TEMPORARY WHITE DASH LINE SHALL BE 4" IN WIDTH X MINIMUM 8' TO MAXIMUM 10' LENGTH, PLACED 2" TO THE LEFT OF THE JOINT LINE. THE INTERVAL (CYCLE) SHALL BE 40' ± 2" TO ALLOW FOR THE PERMANENT PAVEMENT MARKING.
- ⑨ ALL TEMPORARY PAVEMENT MARKING THAT WILL BE COVERED BY PERMANENT PAVEMENT MARKING SHALL COMPLY WITH THE ALIGNMENT AND LOCATION REQUIREMENTS OF THE FINAL PAVEMENT MARKING MATERIAL. TEMPORARY PAVEMENT MARKINGS THAT ARE NOT COVERED BY THE PERMANENT MARKINGS SHALL BE REMOVED AT THE CONTRACTOR'S EXPENSE.

ROADWAY WIDTH	SHOULDER TYPE	DISTANCE FROM $\epsilon$ OF ROADWAY TO OUTSIDE EDGE OF PAVEMENT
LESS THAN 24'	SURFACED	EDGE OF LANE
LESS THAN 24'	EARTH	PAVEMENT EDGE
24'	EARTH	PAVEMENT EDGE
24'	SURFACED	12'-0" *
24' TO 28'	EARTH	12'-0" *

\* SEE NOTE 3  
CENTERLINE MARKING SHALL BE PLACED ON THE "SOUTH" SIDE OF THE CENTER JOINT ON EAST-WEST ROADS AND ON THE "EAST" SIDE OF THE CENTER JOINT ON NORTH-SOUTH ROADS

### LEGEND

- ◁ OVERLAY MARKER
- ◁ BIDIRECTIONAL OVERLAY MARKER



### NEBRASKA DEPARTMENT OF ROADS TRAFFIC ENGINEERING DIVISION

#### TYPICAL PAVEMENT MARKING

DESIGNED	DV	TEMPORARY PAVEMENT MARKING PLAN	1/1
REVIEWED	MAN	TRAFFIC ENGINEER	
DATE DRAWN	8/06		DATE