

INDEX OF SHEETS

SHEET NO.

- 1 TITLE PAGE
& SUMMARY OF QUANTITIES
- 2 PAVEMENT MARKING PLAN--PAVEMENT MARKING DETAILS

STANDARD PLANS

- 920-R6 (3 SHEETS) TRAFFIC CONTROL, CONSTRUCTION AND MAINTENANCE
- 921-R7 (2 SHEETS) TRAFFIC CONTROL, CONSTRUCTION AND MAINTENANCE

STATE OF NEBRASKA
DEPARTMENT OF ROADS
PLANS FOR CONSTRUCTION
**ADVANCED RAILROAD
PAVEMENT MARKINGS**
SEWARD COUNTY

PROJECT NO.	SHEET NO.
HRRR-80(34)	1
▲ CONTROL NO.	00869P
▲ CONTROL NO.	
■ CONTROL NO.	

THE 2007 EDITION OF THE NEBRASKA STANDARD SPECIFICATIONS AND THE SPECIAL PROVISIONS APPLY TO THIS PROJECT.

**SUMMARY OF
QUANTITIES**

**SPECIALTY ITEMS
GROUP 8**

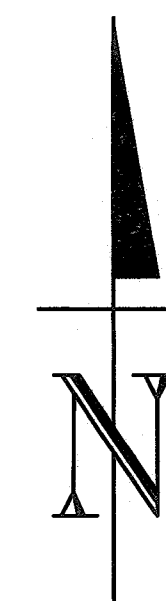
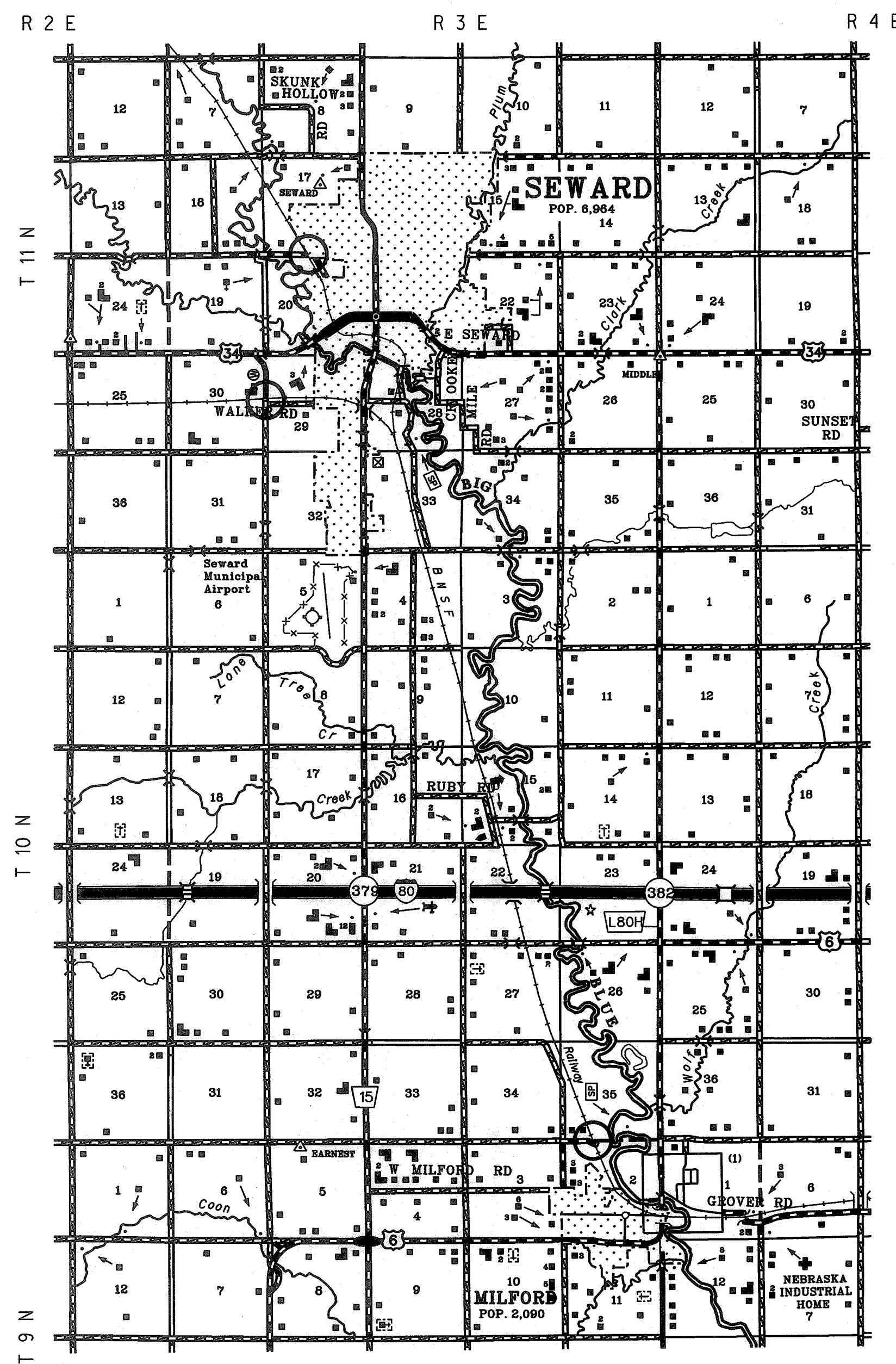
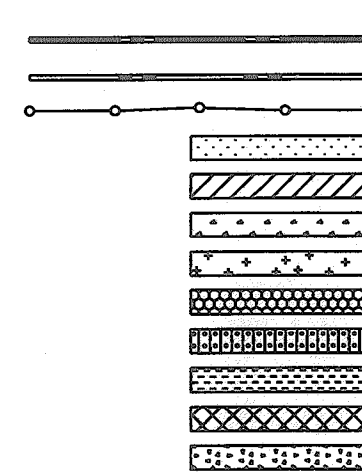
ITEM	QUANTITY	UNITS
FLAGGING	6,000	DAY
MOBILIZATION	1,000	LS
24" WHITE PREFORMED PAVEMENT MARKING	144,000	LF
RAILROAD CROSSING SYMBOL PREFORMED PAVEMENT MARKING	4,000	EACH
ENVIRONMENTAL COMMITMENTS - CONTRACTOR COMPLIANCE	1,000	LS

CONVENTIONAL SIGNS

- FENCE R.O.W. OR WIRE
- GUARDRAIL
- TRAVELED WAY
- DIKE
- CULVERT
- POWER POLE
- TELEPHONE POLE
- MAILBOX
- RAILROAD TRACKS
- MARSH
- TREE - CONIFEROUS
- TREE - DECIDUOUS

R.O.W. LEGEND

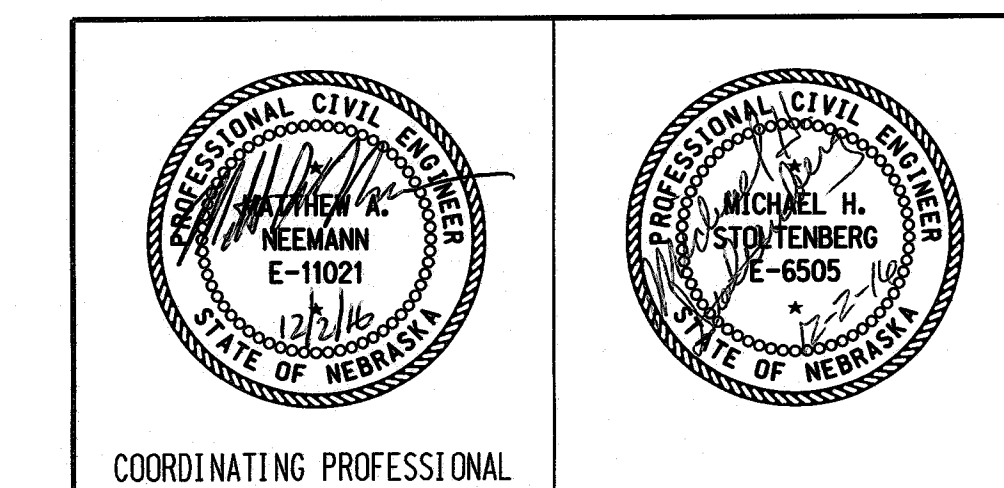
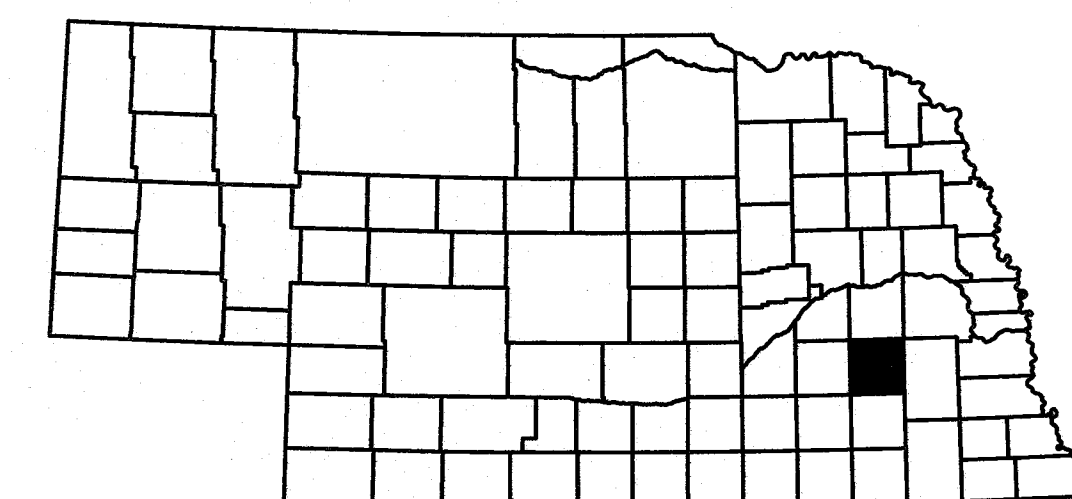
- NEW CONTROLLED ACCESS
- PREVIOUS CONTROLLED ACCESS
- LIMITS OF CONSTRUCTION
- PREVIOUS R.O.W.
- NEW R.O.W.
- EXISTING PERMANENT EASEMENT
- TEMPORARY EASEMENT
- EXCESS TAKING
- PERMANENT EASEMENT
- EXISTING RAILROAD EASEMENT
- NEW RAILROAD PERMANENT EASEMENT
- NEW RAILROAD TEMPORARY EASEMENT



THE WORK ON THIS PROJECT CONSISTS OF GROUPS

8-SPECIALTY

▲ GROUPS 8	ARE INCLUDED
IN THE LETTING OF	APRIL 13, 2017
▲ GROUPS	ARE INCLUDED
IN THE LETTING OF	
■ GROUPS	ARE INCLUDED
IN THE LETTING OF	



COORDINATING PROFESSIONAL

CONSTRUCTION DIVISION

Computer: DRCONSTRUCTIO

User: dar17005

Date: 29-NOV-2016 10:26

File: 00869PSETITLE.DGN
Scale: 1:100

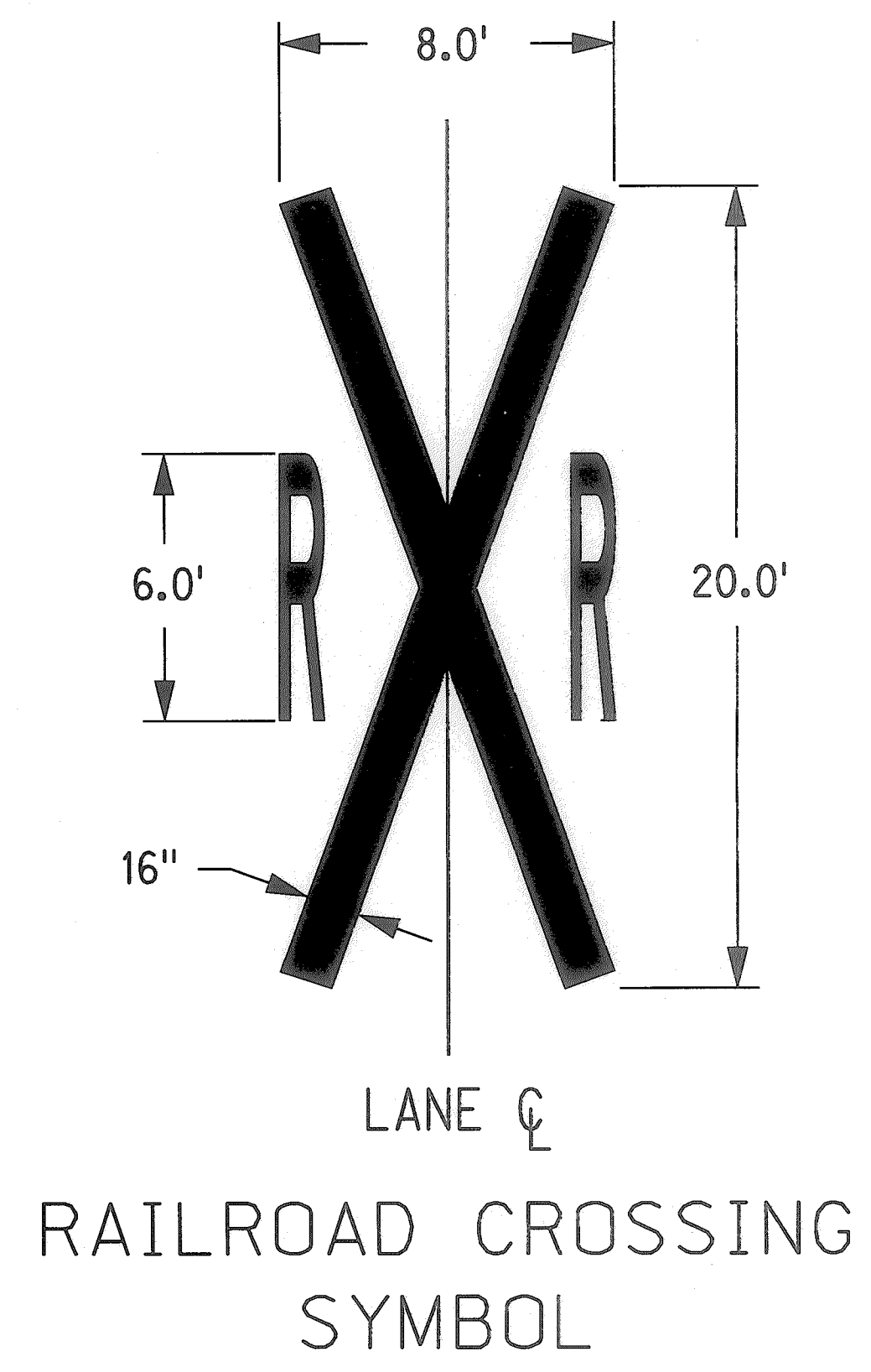
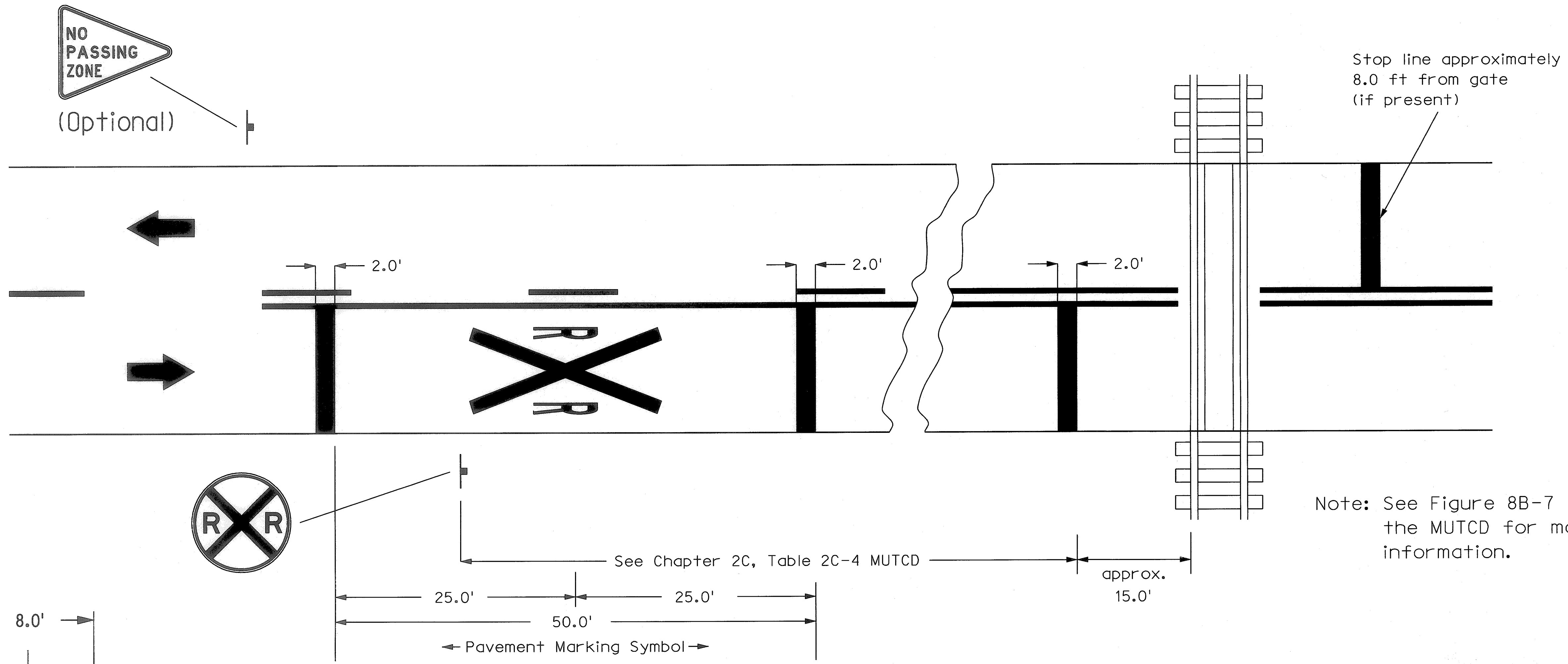
TRAFFIC ENGINEERING DIVISION

Computer: DRTTRAFFIC18

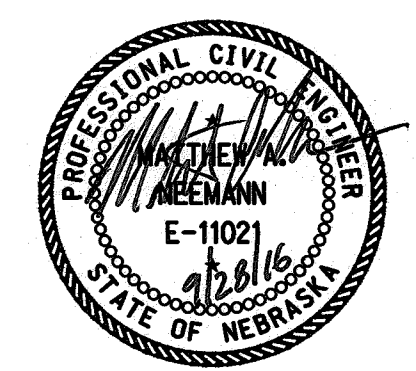
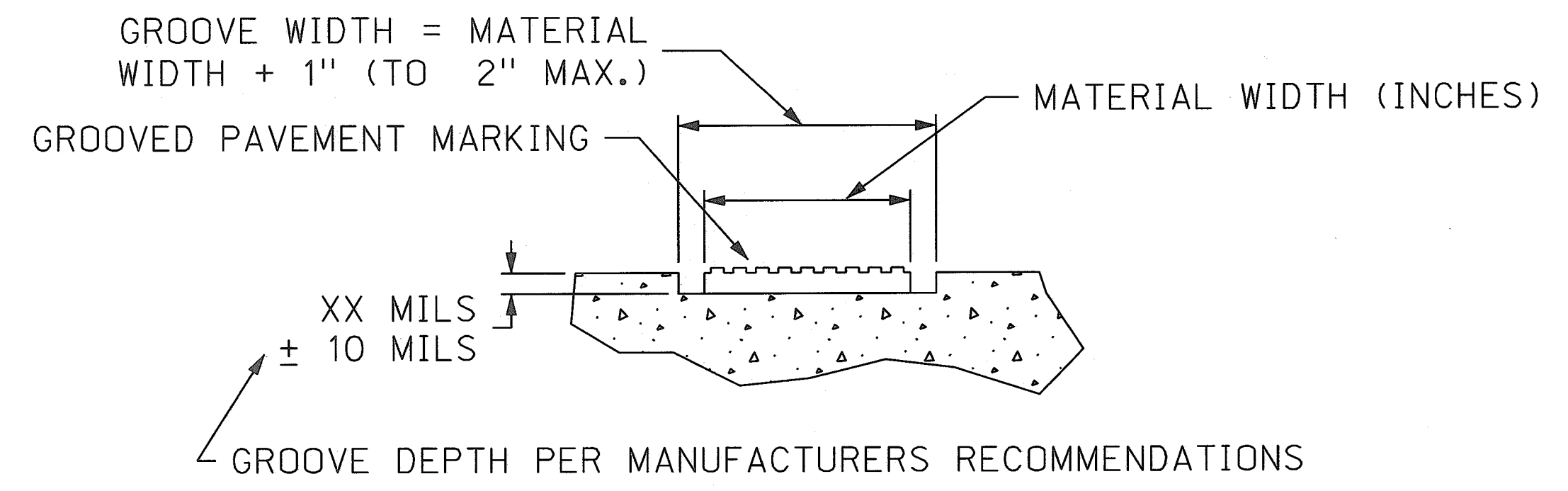
User: dor23012

Date: 28-SEP-2016 09:17

File: Matt-pmdetails r2.dgn
 Scale: 1/8"=1'-0"



PERMANENT PAVEMENT MARKINGS
 INSTALLED IN GROOVES



NEBRASKA DEPARTMENT OF ROADS TRAFFIC ENGINEERING DIVISION	
PAVEMENT MARKING PLAN	
DATE DRAWN	PAVEMENT MARKING DETAILS