

PROJECT NO.	SHEET NO.
AFE-A003	1
▲ CONTRACT ID.	MITLOA
▲ CONTRACT ID.	
■ CONTRACT ID.	

**INDEX OF SHEETS**

SHEET NO.	TITLE PAGE
1	SUMMARY OF QUANTITIES & TYPICAL CROSS SECTION
2-5	TEMPORARY PAVEMENT MARKING PLAN
4 - 5	SPECIAL PLAN 1C MILLED RUMBLE STRIPS

**STANDARD PLANS**

920-R5	(2 SHEETS) TRAFFIC CONTROL, CONSTRUCTION AND MAINTENANCE
922-R8	(2 SHEETS) TRAFFIC CONTROL FOR ASPHALT SURFACING

**STATE OF NEBRASKA  
DEPARTMENT OF ROADS  
PLANS FOR CONSTRUCTION  
HWY 41 ADAMS TO STERLING  
GAGE & JOHNSON COUNTIES**

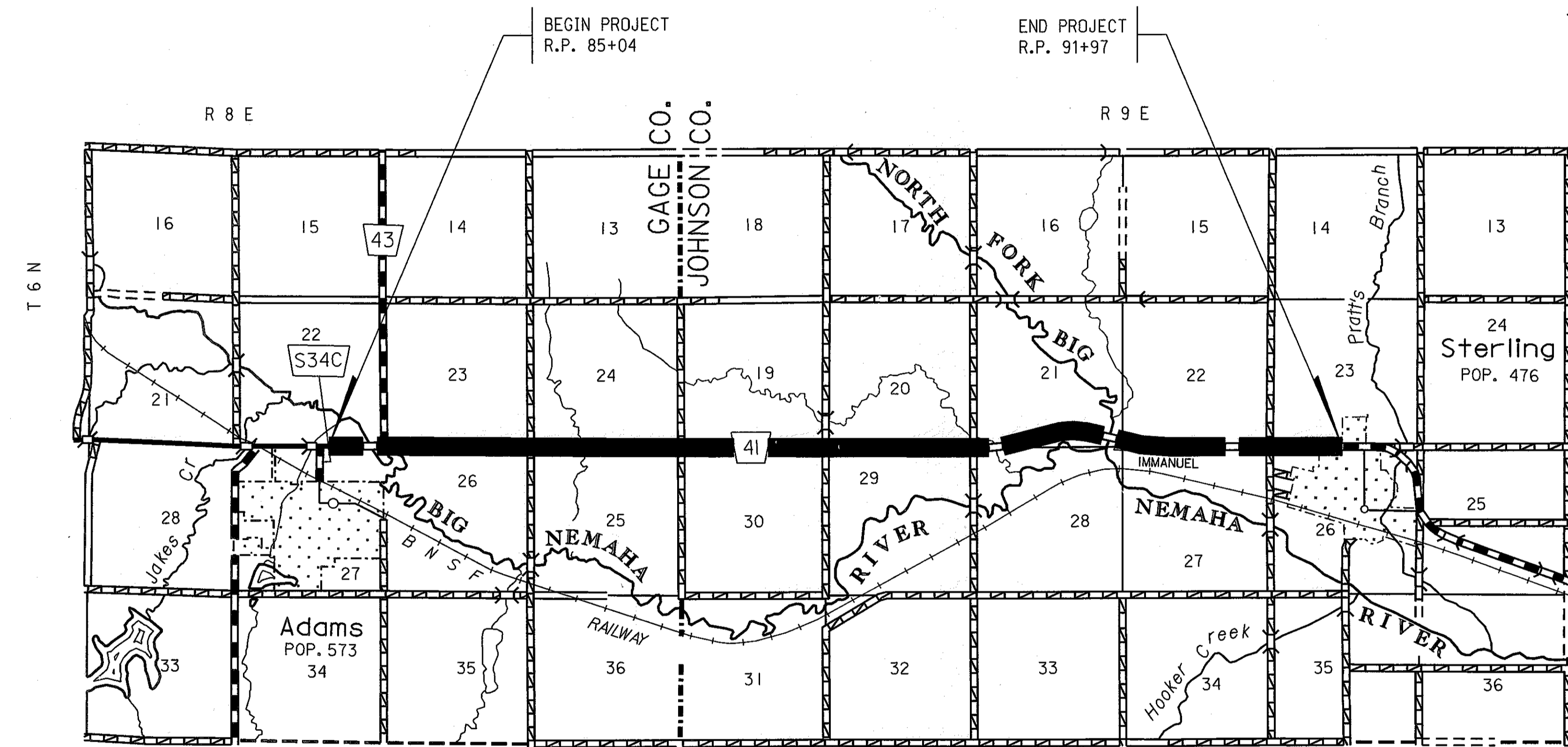
THE 2007 EDITION OF THE NEBRASKA STANDARD SPECIFICATIONS AND THE SPECIAL PROVISIONS APPLY TO THIS PROJECT.



THE WORK ON THIS PROJECT CONSISTS OF GROUPS

9-BITUMINOUS
▲ GROUPS <u>9</u> ARE INCLUDED IN THE LETTING OF <u>APRIL 17, 2014</u>
▲ GROUPS _____ ARE INCLUDED IN THE LETTING OF _____
■ GROUPS _____ ARE INCLUDED IN THE LETTING OF _____

DESIGN DESIGNATION
MAINTENANCE
TRAFFIC
YEAR: 2014
ADT: <u>2090</u>



**CONVENTIONAL SIGNS**

FENCE R.O.W. OR WIRE	
GUARDRAIL	
TRAVELED WAY	
DIKE	
CULVERT	
POWER POLE	
TELEPHONE POLE	
MAILBOX	
RAILROAD TRACKS	
MARSH	
TREE - CONIFEROUS	
TREE - DECIDUOUS	

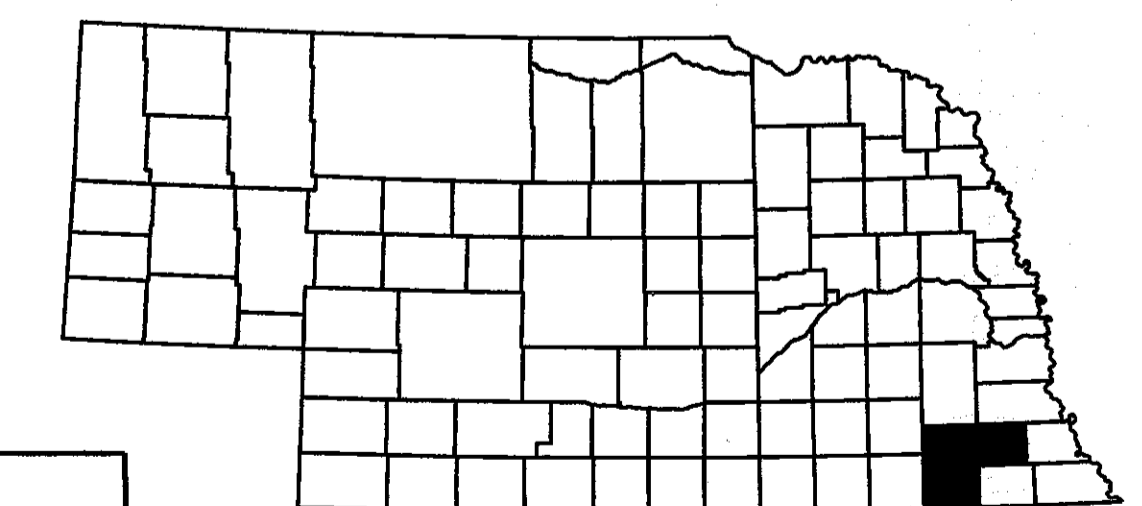
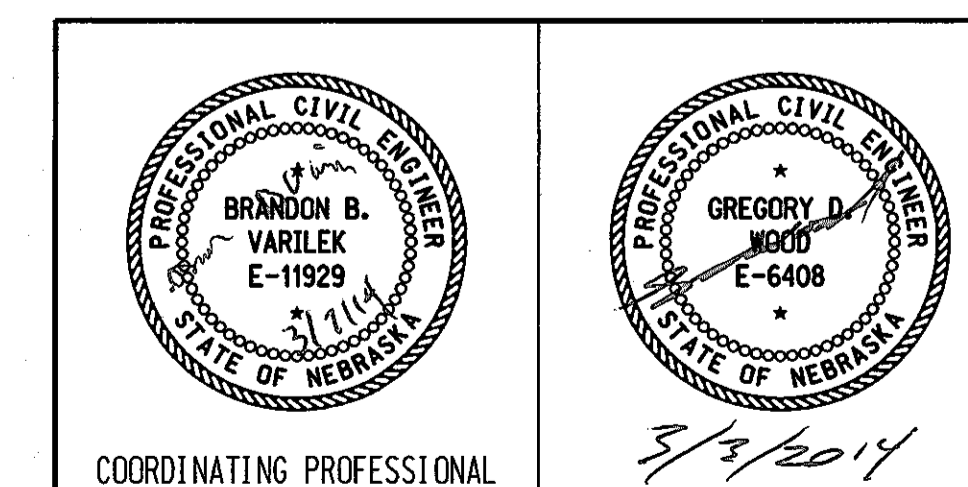
**R.O.W. LEGEND**

NEW CONTROLLED ACCESS	
PREVIOUS CONTROLLED ACCESS	
LIMITS OF CONSTRUCTION	
PREVIOUS R.O.W.	
NEW R.O.W.	
EXISTING PERMANENT EASEMENT	
TEMPORARY EASEMENT	
EXCESS TAKING	
PERMANENT EASEMENT	
EXISTING RAILROAD EASEMENT	
NEW RAILROAD PERMANENT EASEMENT	
NEW RAILROAD TEMPORARY EASEMENT	

REFERENCE POST NO. 85+04 TO REFERENCE POST NO. 91+97

EXCEPTIONS: FROM STA. \_\_\_\_\_ TO STA. \_\_\_\_\_

TOTAL NET LENGTH OF PROJECT: 36,5590 FEET 6.93 MILES



CONSTRUCTION DIVISION

Computer: DRDESIGN188

User: dor13161

Date: 28-FEB-2014 08:06

File: m:\road\pset\11e.dgn  
Scale: 1:100

PROJECT NO.	SHEET NO.
AFE-A003	2-S

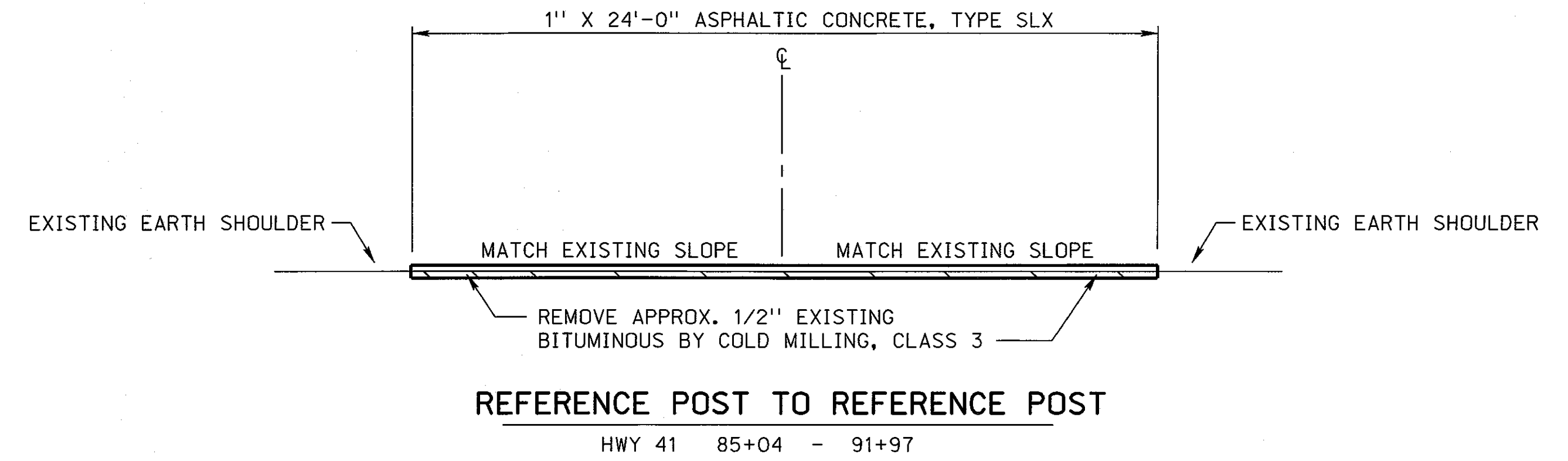
CONTRACT ID. MITLOA

# SUMMARY OF QUANTITIES

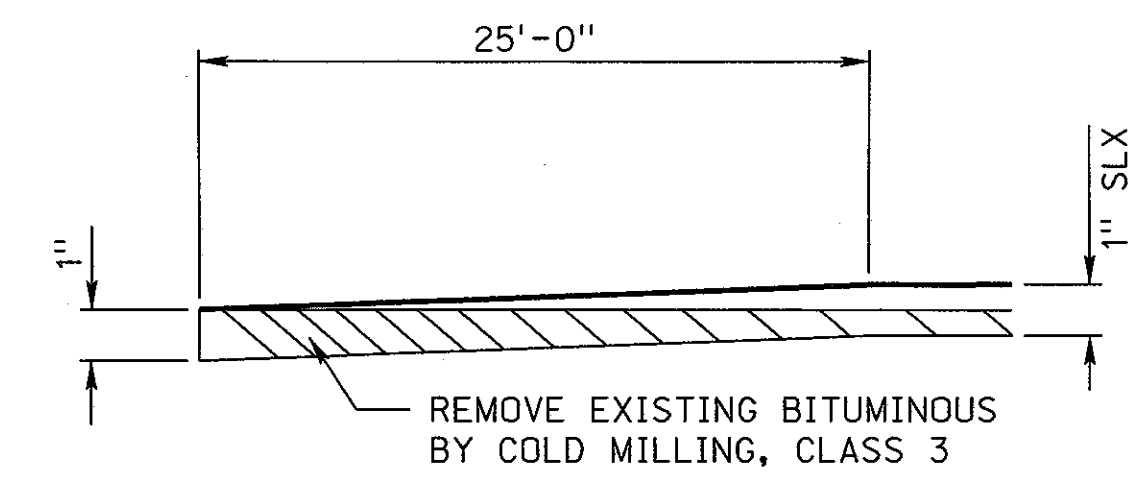
# TYPICAL CROSS SECTIONS

## BITUMINOUS SURFACING ITEMS GROUP 9

ITEM	QUANTITY	UNITS
BARRICADE, TYPE II	2,400.000	BDAY
BARRICADE, TYPE III	170.000	BDAY
TEMPORARY SIGN DAY	210.000	EACH
SIGN DAY	2,543.000	EACH
OVERLAY BROKEN LINES	732.000	STA
OVERLAY SOLID LINES	1,464.000	STA
FLAGGING	30.000	DAY
FURNISHING AND OPERATING PILOT VEHICLE	15.000	DAY
MOBILIZATION	1.000	LS
HYDRATED LIME/WARM MIX ASPHALT	5,610.000	EACH
ASPHALTIC CONCRETE, TYPE SLX	5,310.000	TON
ASPHALTIC CONCRETE FOR PATCHING, TYPE SLX	300.000	TON
PERFORMANCE GRADED BINDER (64-34)	235.620	TON
TACK COAT	14,640.000	GAL
FOG SEAL	150.000	GAL
RENTAL OF LOADER, FULLY OPERATED	50.000	HOUR
RENTAL OF MOTOR GRADER, FULLY OPERATED	50.000	HOUR
RENTAL OF DUMP TRUCK, FULLY OPERATED	50.000	HOUR
RENTAL OF SKID LOADER, FULLY OPERATED	50.000	HOUR
COLD MILLING, CLASS 3	365.904	STA
RUMBLE STRIPS, ASPHALT 8"	33.792	STA
RAP INCENTIVE PAYMENT	9,537.000	EACH
ASPHALT PAVEMENT SMOOTHNESS TESTING	1.000	LS

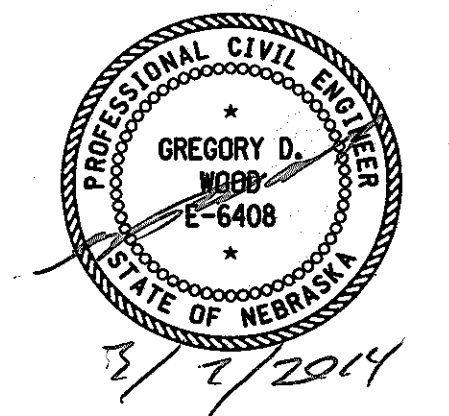


TRANSITION DETAIL FROM EXISTING PAVEMENT  
TO NEW ASPHALTIC CONCRETE, TYPE SLX



BUILD RUMBLE STRIPS, SPECIAL PLAN 1C						
REFERENCE POST	TO REFERENCE POST	CENTERLINE	SHOULDER		EDGELINE	
		(STA.)	(STA.)	SIDE	(STA.)	SIDE
85+04	- 85+36	16.896	-	-	-	-
TOTAL		33.792	-	-	-	-

TYPES OF ASPHALTIC OIL TO BE USED
TACK COAT: SS-1, SS-1H, CSS-1, OR CSS-1H FOG SEAL: SS-1H OR CSS-1H
<b>PERFORMANCE GRADED BINDER</b>
AASHTO DESIGNATION M320



CONSTRUCTION DIVISION

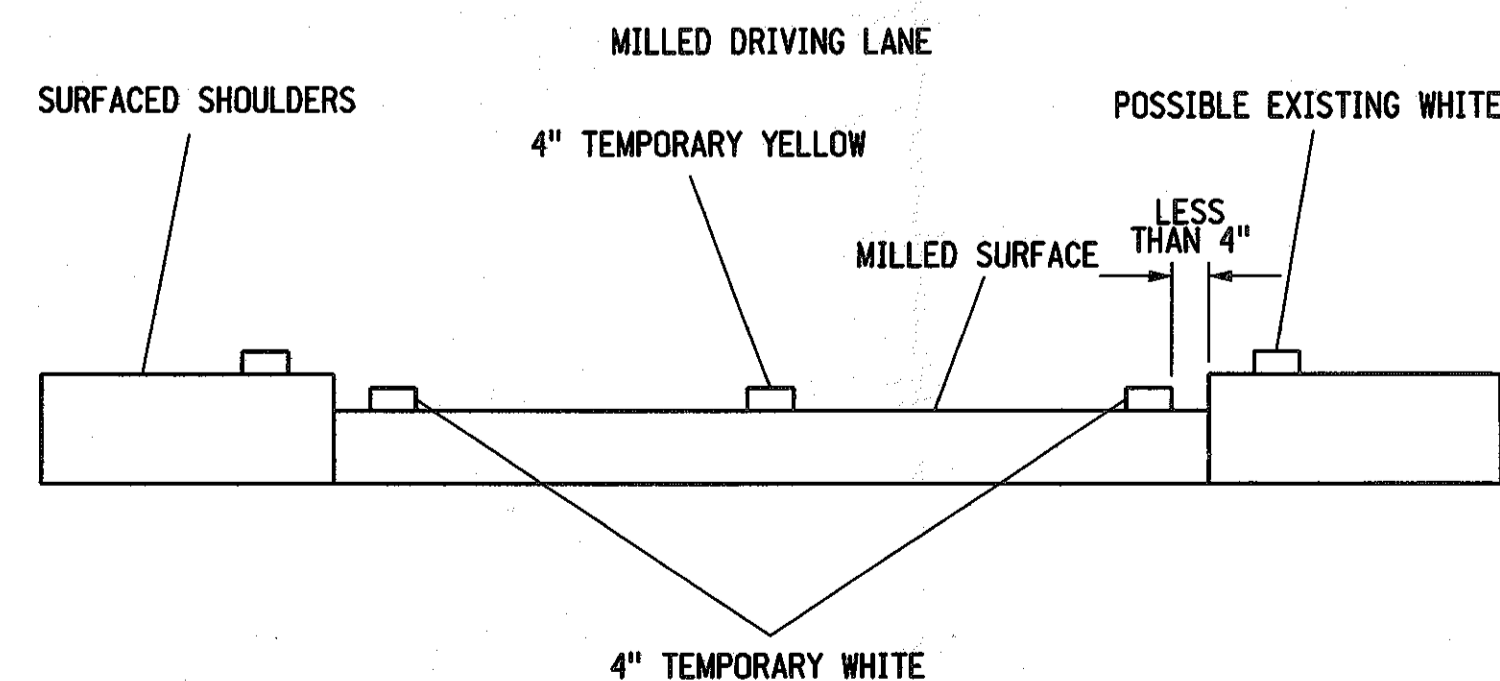
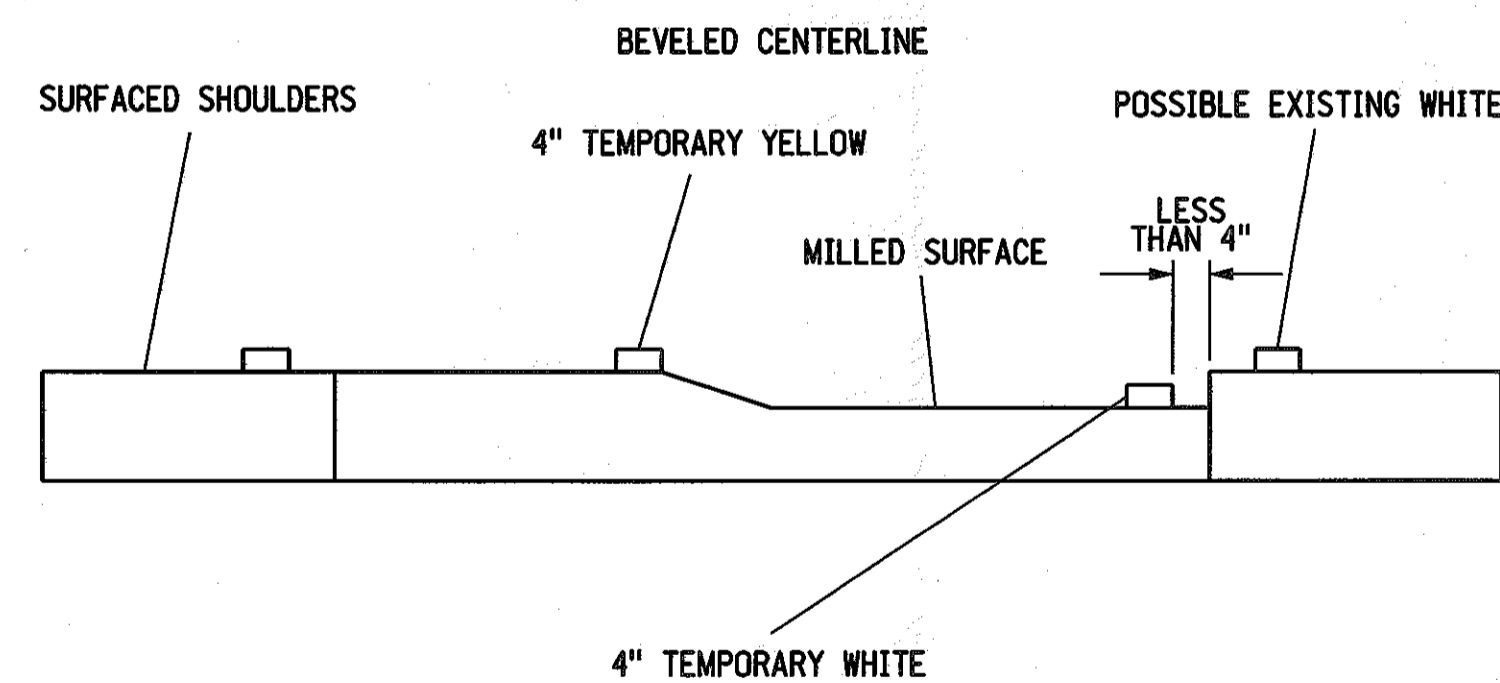
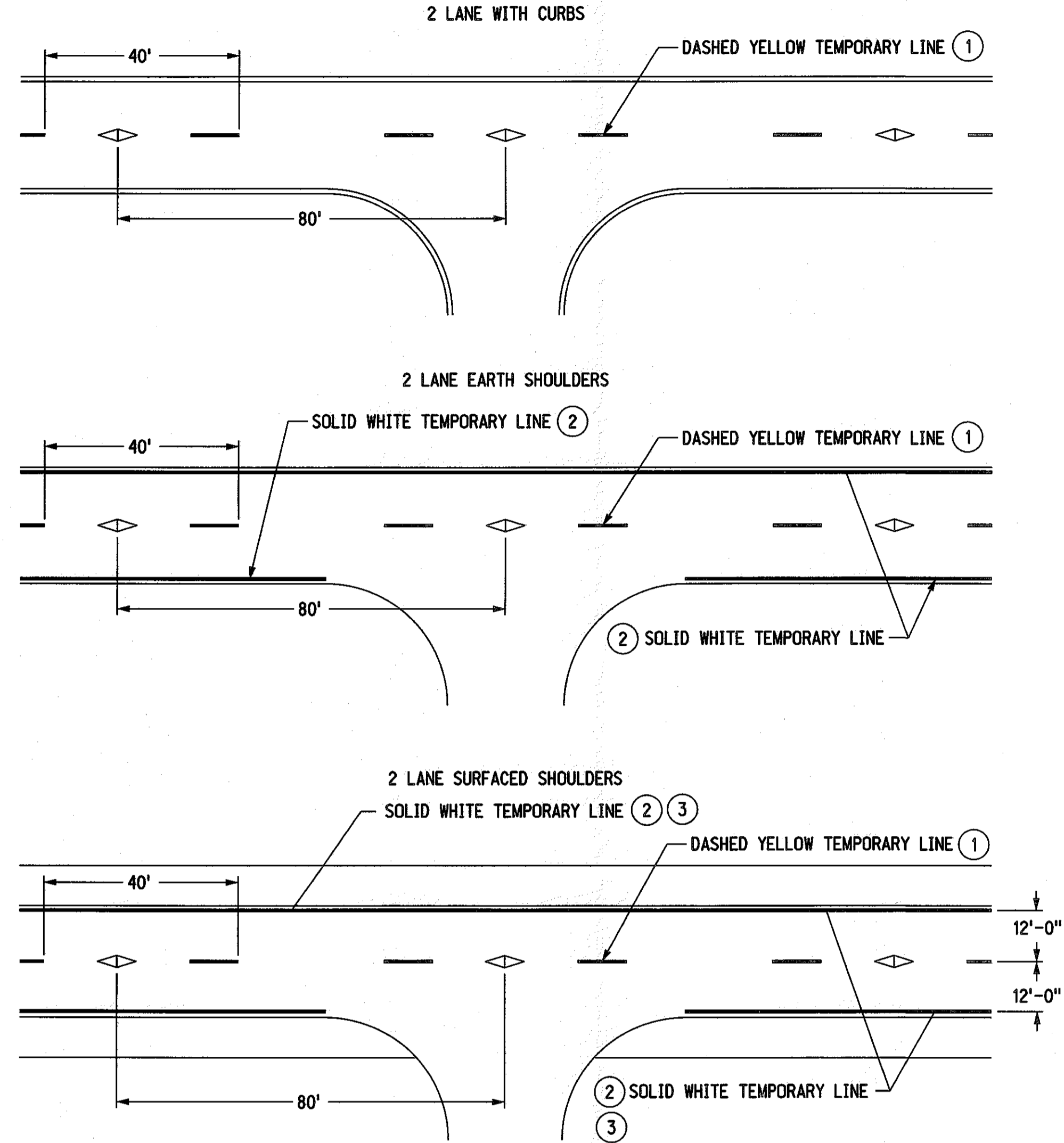
Computer: DRDESIGN188

User: dor13161

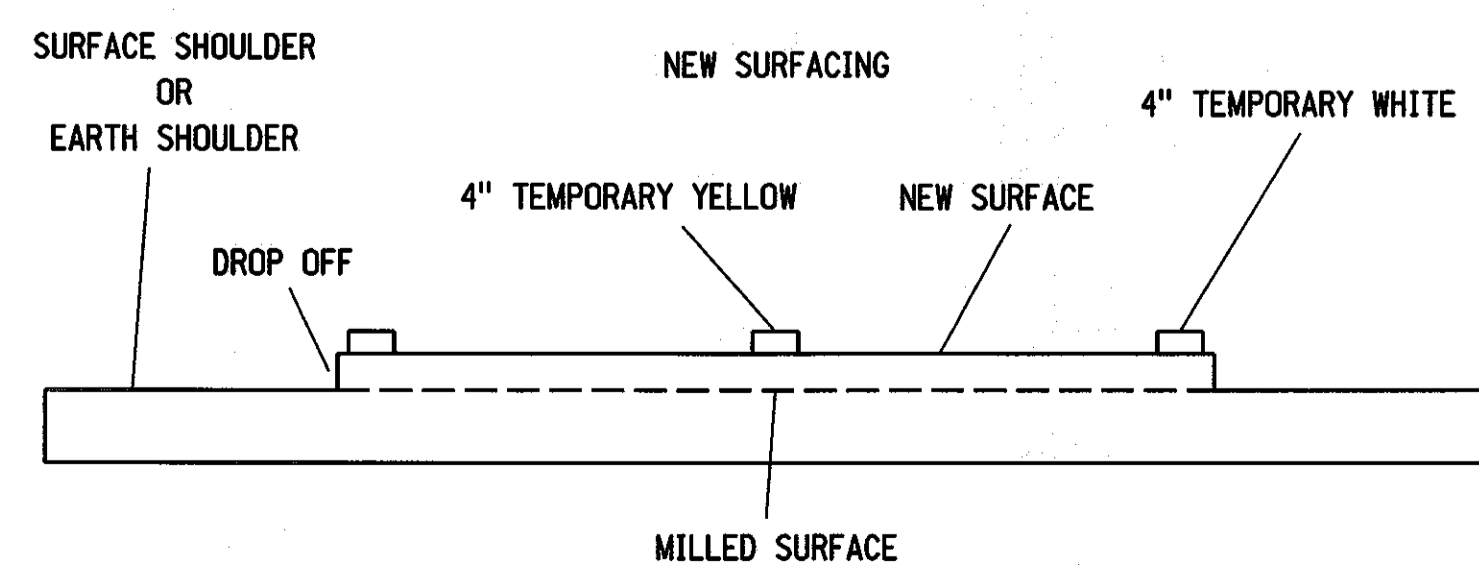
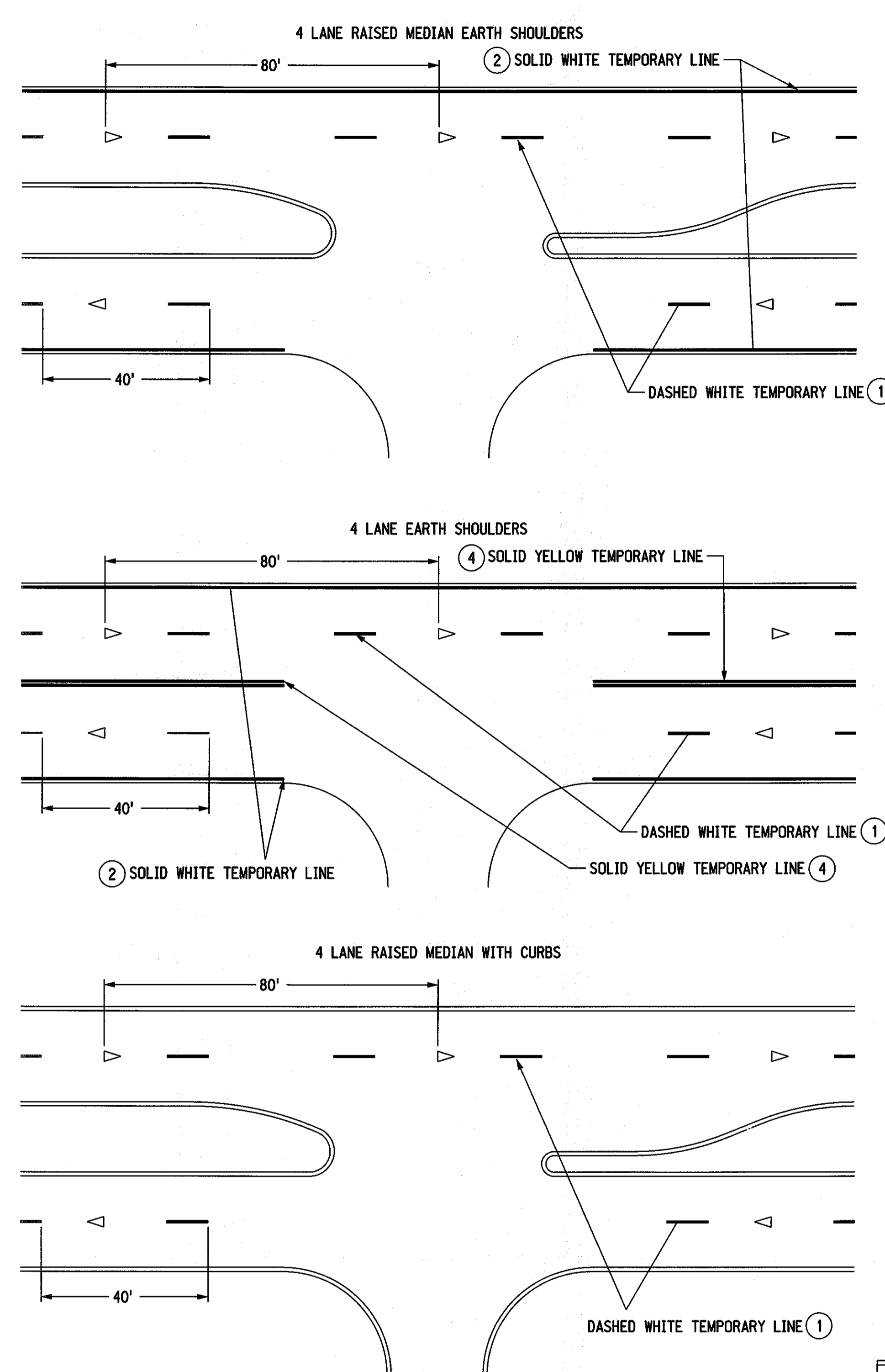
Date: 07-MAR-2014 10:36

File: m110d0pset111e.dgn  
Scale: 1:100

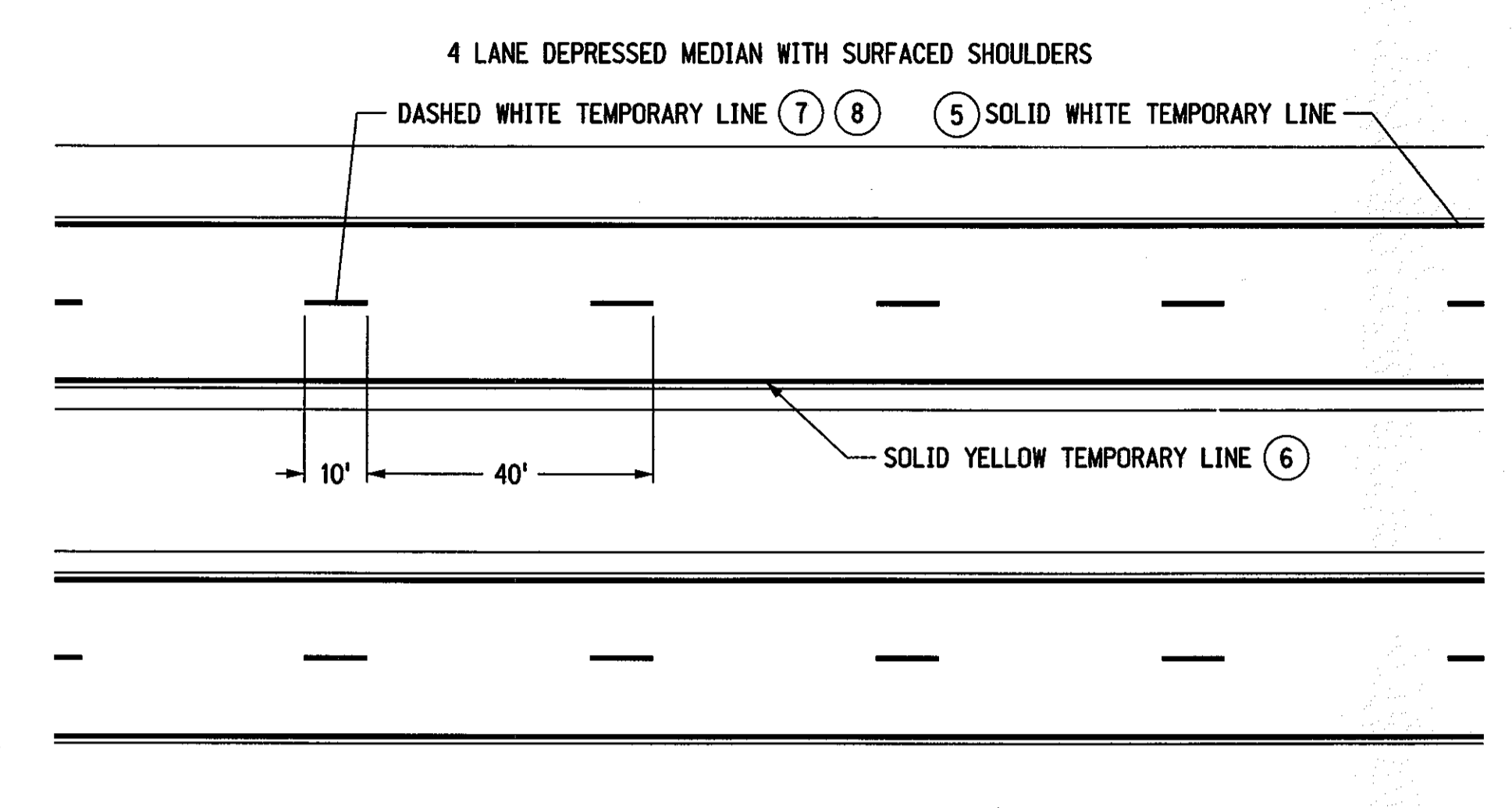
### 2 LANE ROADWAYS



### 4 LANE ROADWAYS



### FREEWAY/RURAL EXPRESSWAY



### NOTES

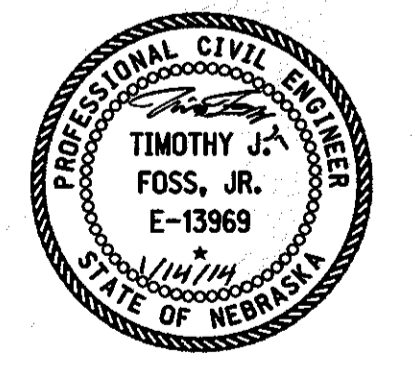
- (1) LOWER LAYERS: TEMPORARY DASHED LINE SHALL BE 4" X 10' PAINTED LINE AT 40' INTERVALS OR 4" X 4' TYPE I TAPE LINE AT 40' INTERVALS. TAPE OR PAINT WILL BE SUPPLEMENTED WITH AN OVERLAY MARKER EVERY 80 FEET.
  - OVERLAY MARKERS ARE NOT REQUIRED ON MILLED SURFACES, HYDRATED LIME SURFACES AND STABILIZED SURFACES.
- TOP LAYER: BROKEN LINE MARKINGS
  - INSTALL 4" X 4' TAPE AT 40' INTERVALS SUPPLEMENTED WITH AN OVERLAY MARKER EVERY 80 FEET.
  - OR USE NO TAPE, BUT INSTALL 2 RAISED PAVEMENT MARKERS SPACED 5' APART AT 40' INTERVALS.
- SOLID LINE MARKINGS
  - 4" WIDE PAINTED LINE OR PAVEMENT MARKING TAPE. RAISED PAVEMENT MARKERS MAY BE USED IN LIEU OF PAINT OR TAPE, INSTALLED AT 10' INTERVALS.
- ARMOR COATS  
 FOG SEALS: 2 OVERLAY MARKERS 5' APART, PER 40 FOOT CYCLE (NO PAINT OR TAPE).
- (2) TEMPORARY SOLID LINE SHALL BE 4" WIDE PAINTED LINE.
- (3) EDGE LINE SHALL BE PLACED SO THAT THE OUTSIDE EDGE OF PAINT IS THE REQUIRED DISTANCE FROM CENTERLINE ON THE TOP LIFT
- (4) TEMPORARY CENTERLINE SHALL BE TWO 4" PAINTED LINES SPACED 4" APART, CENTERED ABOUT THE JOINT LINE.
- (5) EDGELINE SHALL BE 4" PAINTED LINE. PLACED TO THE LEFT OF JOINT LINE.
- (6) ALL LAYERS: EDGELINE SHALL BE PLACED 12'-0" FROM THE CENTER JOINT LINE. (RIGHT OF SHOULDER JOINT LINE WHEN APPLICABLE)
- (7) MILLED SURFACE OR LOWER LIFTS: THE TEMPORARY WHITE DASH LINE SHALL BE 4" X 10' MINIMUM PAINTED LINE AT 40' INTERVALS, PLACED TO THE LEFT OF THE JOINT LINE.
- (8) TOP LIFT: THE TEMPORARY WHITE DASH LINE SHALL BE 4" IN WIDTH X MINIMUM 8' TO MAXIMUM 10' LENGTH, PLACED 2" TO THE LEFT OF THE JOINT LINE. THE INTERVAL (CYCLE) SHALL BE 40' ± 2" TO ALLOW FOR THE PERMANENT PAVEMENT MARKING.
- (9) ALL TEMPORARY PAVEMENT MARKING THAT WILL BE COVERED BY PERMANENT PAVEMENT MARKING SHALL COMPLY WITH THE ALIGNMENT AND LOCATION REQUIREMENTS OF THE FINAL PAVEMENT MARKING MATERIAL. TEMPORARY PAVEMENT MARKINGS THAT ARE NOT COVERED BY THE PERMANENT MARKINGS SHALL BE REMOVED AT THE CONTRACTOR'S EXPENSE.

2 LANE ROADWAY REQUIRED LOCATION FOR PAINTED LINES, IF USED ON THE TOP LAYER		
ROADWAY WIDTH	SHOULDER TYPE	DISTANCE FROM C OF ROADWAY TO OUTSIDE EDGE OF PAVEMENT
LESS THAN 24'	SURFACED	EDGE OF LANE
LESS THAN 24'	EARTH	PAVEMENT EDGE
24'	EARTH	PAVEMENT EDGE
24'	SURFACED	12'-0" *
24' TO 28'	EARTH	12'-0" *

\*SEE NOTE 3  
 CENTERLINE MARKING SHALL BE PLACED ON THE "SOUTH" SIDE OF THE CENTER JOINT ON EAST-WEST ROADS AND ON THE "EAST" SIDE OF THE CENTER JOINT ON NORTH-SOUTH ROADS

### LEGEND

- ◁ OVERLAY MARKER
- ◁ BIDIRECTIONAL OVERLAY MARKER



### NEBRASKA DEPARTMENT OF ROADS TRAFFIC ENGINEERING DIVISION

TYPICAL PAVEMENT MARKING		
DESIGNED DV	TEMPORARY PAVEMENT MARKING PLAN	1/1
REVIEWED MAN	TRAFFIC ENGINEER	
DATE DRAWN 8/06	DATE	

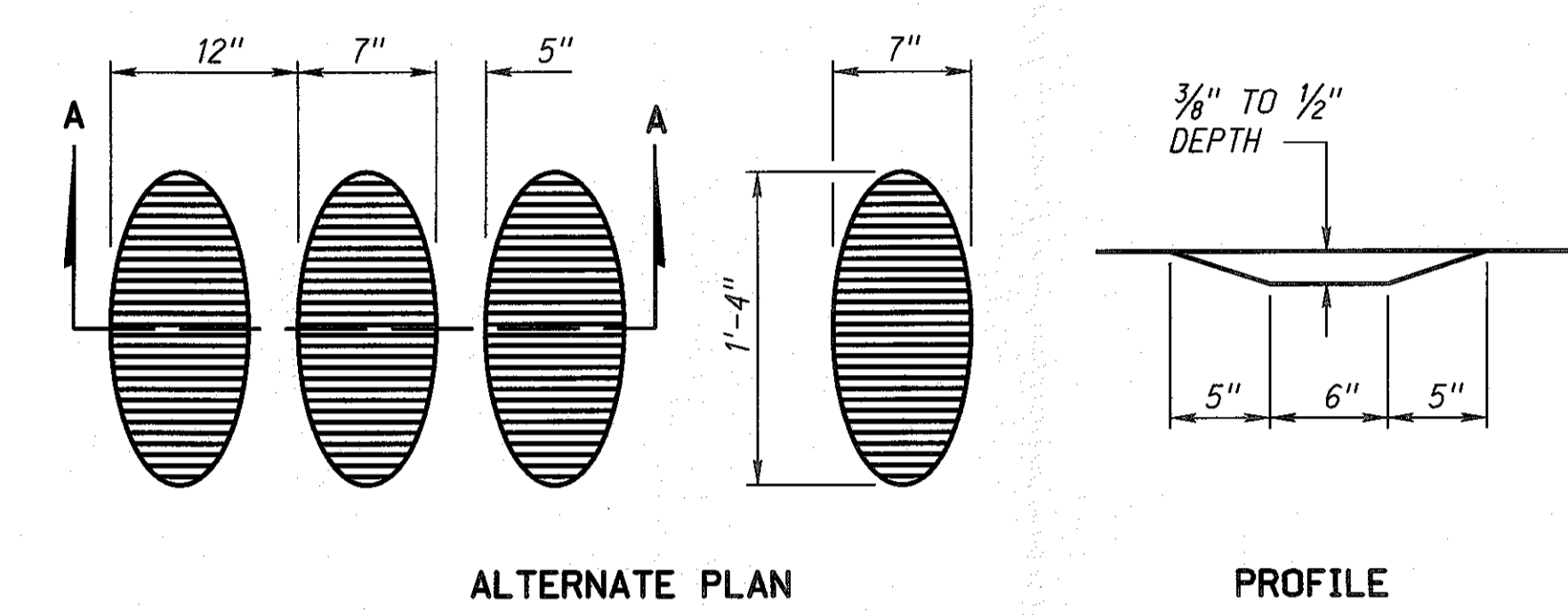
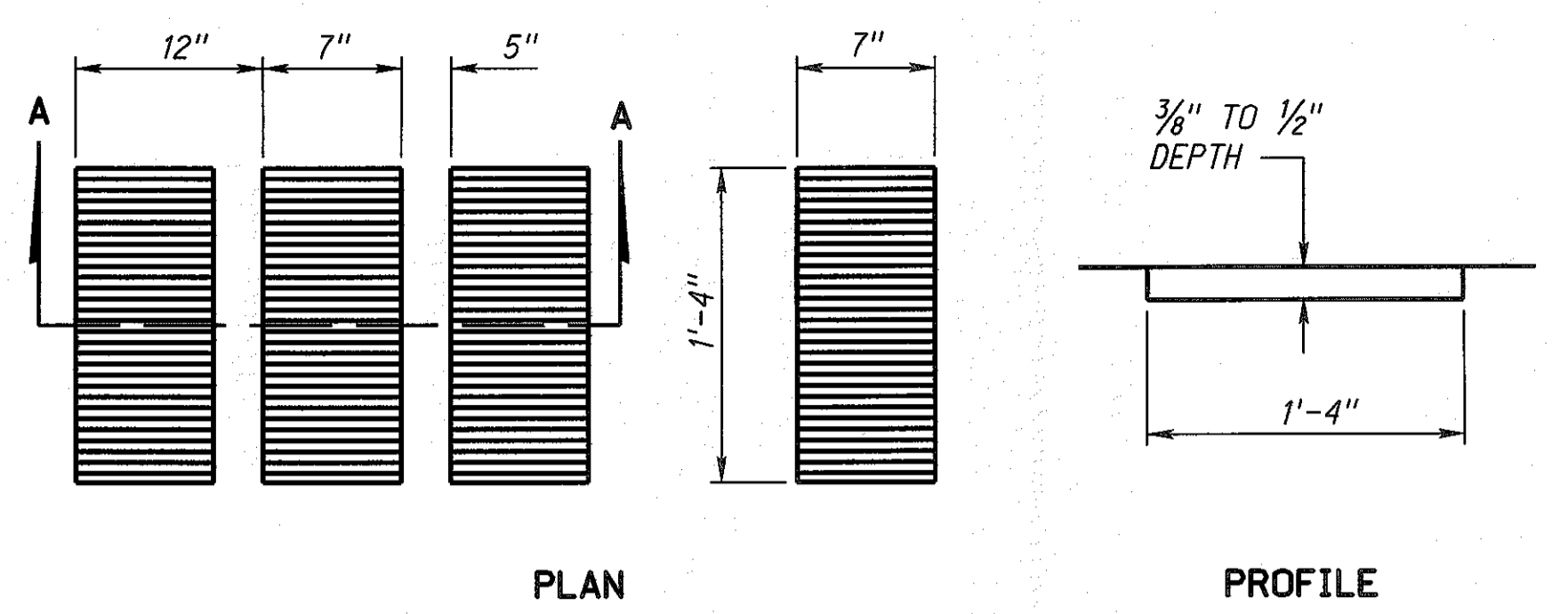
ROADWAY DESIGN DIVISION

Computer: DROESIGN188

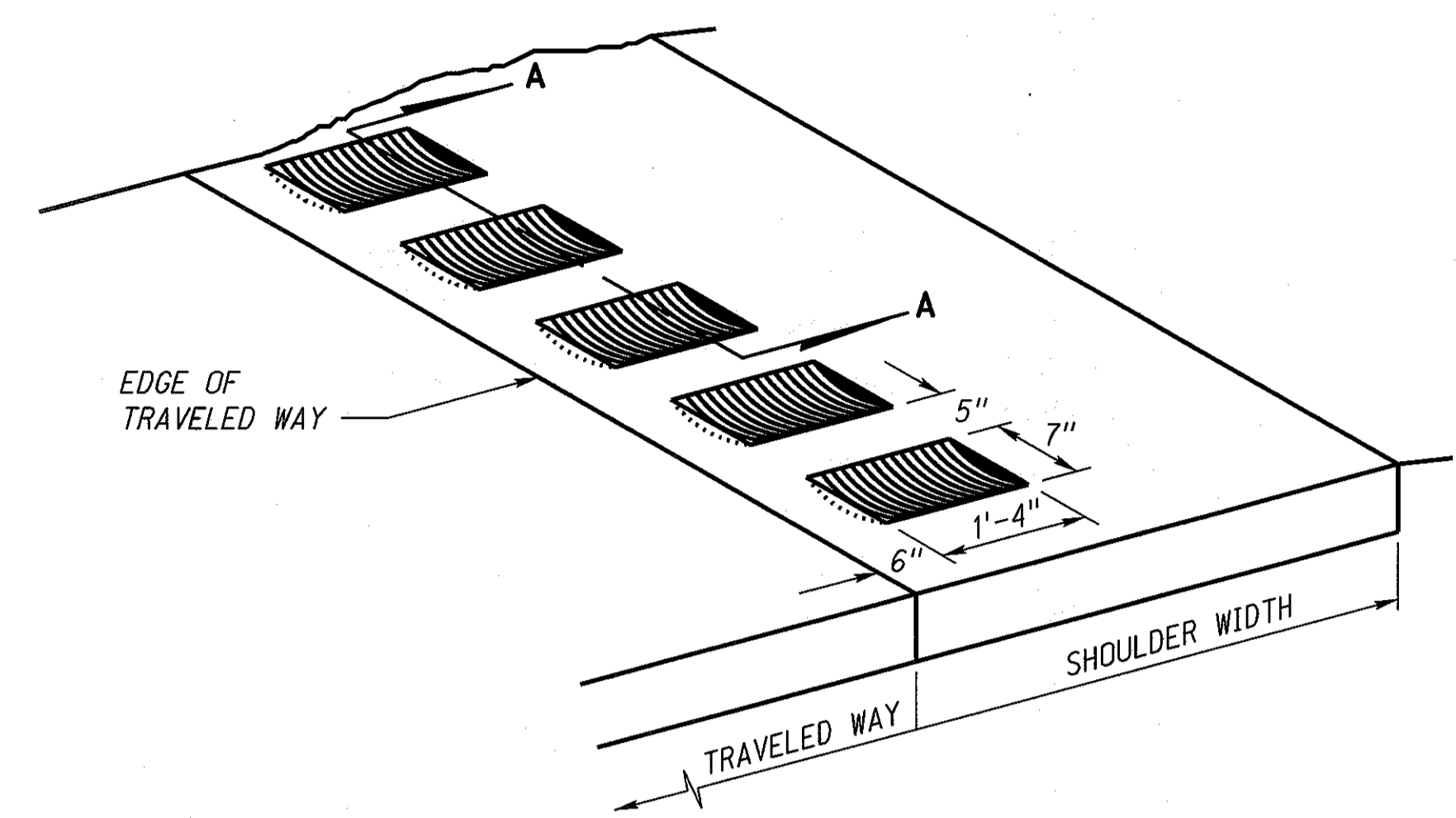
User: dor13161

Date: 26-FEB-2014 13:39

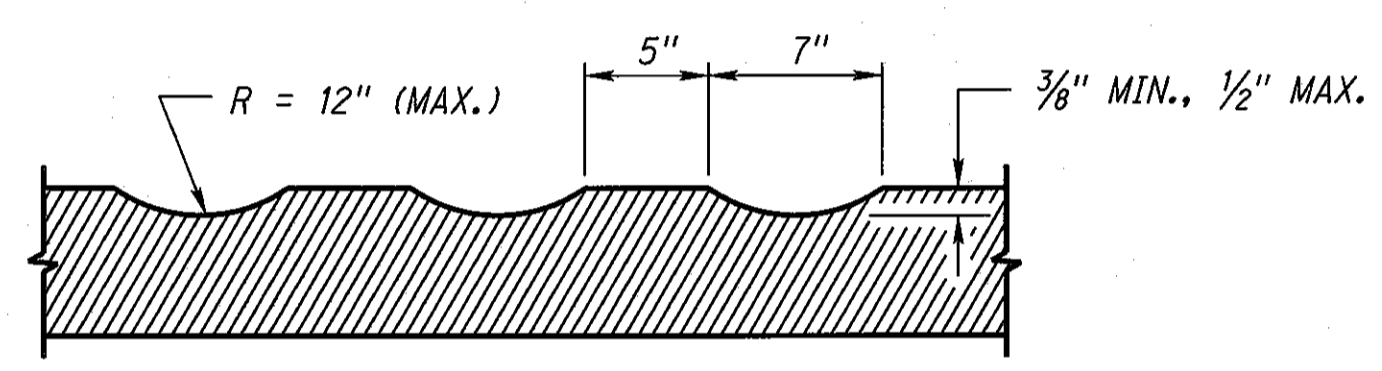
File: m1100ds01.dgn  
Scale: 1:100  
SHEET 1 OF 2



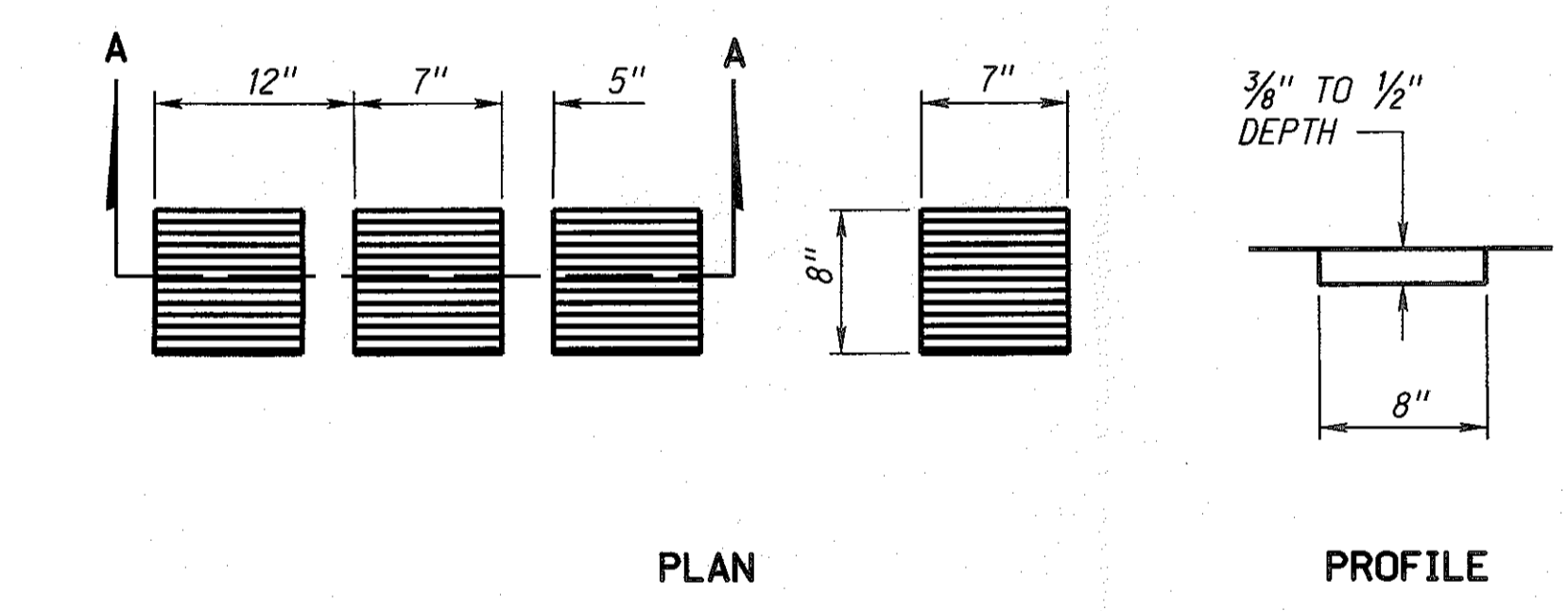
SHOULDER RUMBLE STRIPS SHAPE



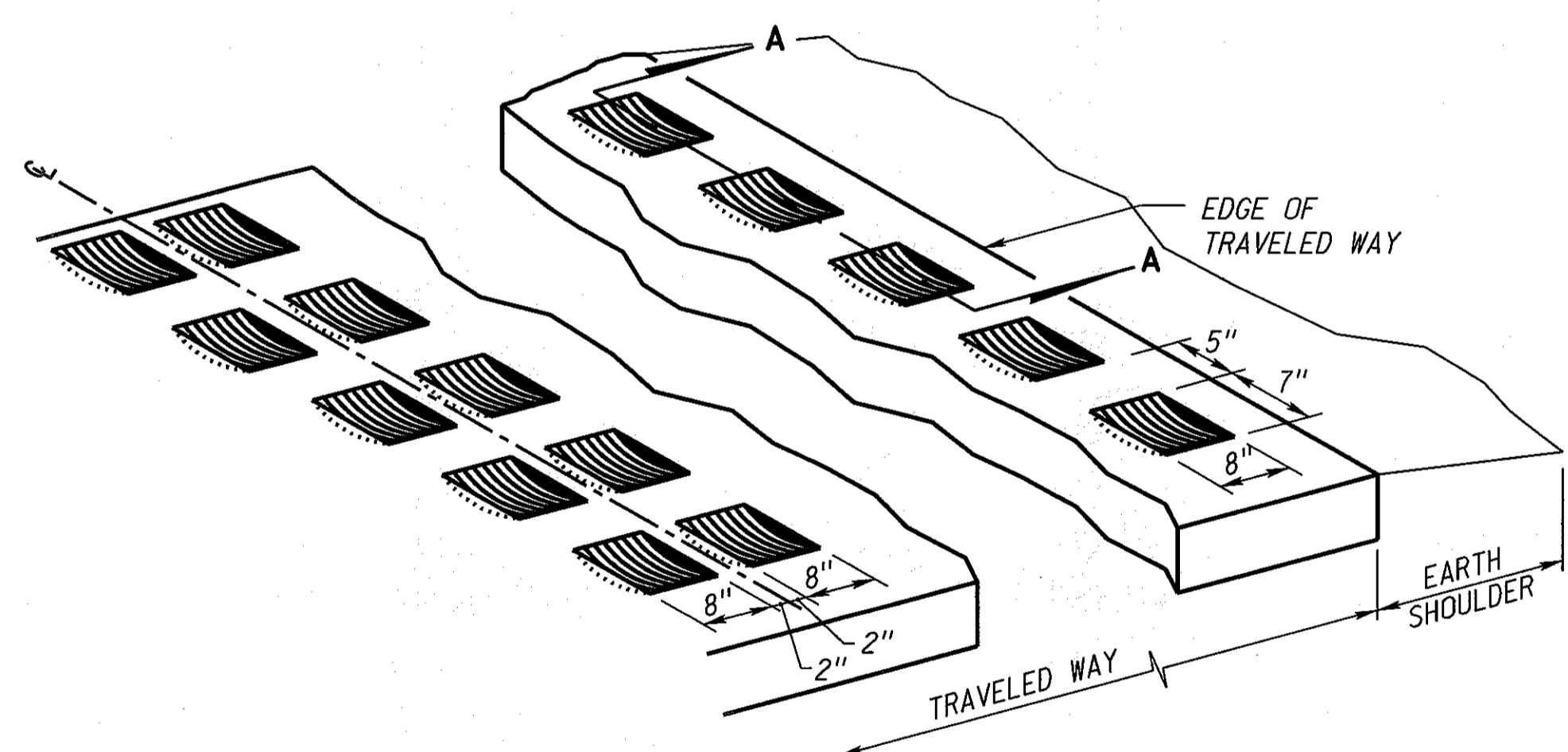
SHOULDER RUMBLE STRIPS DETAIL



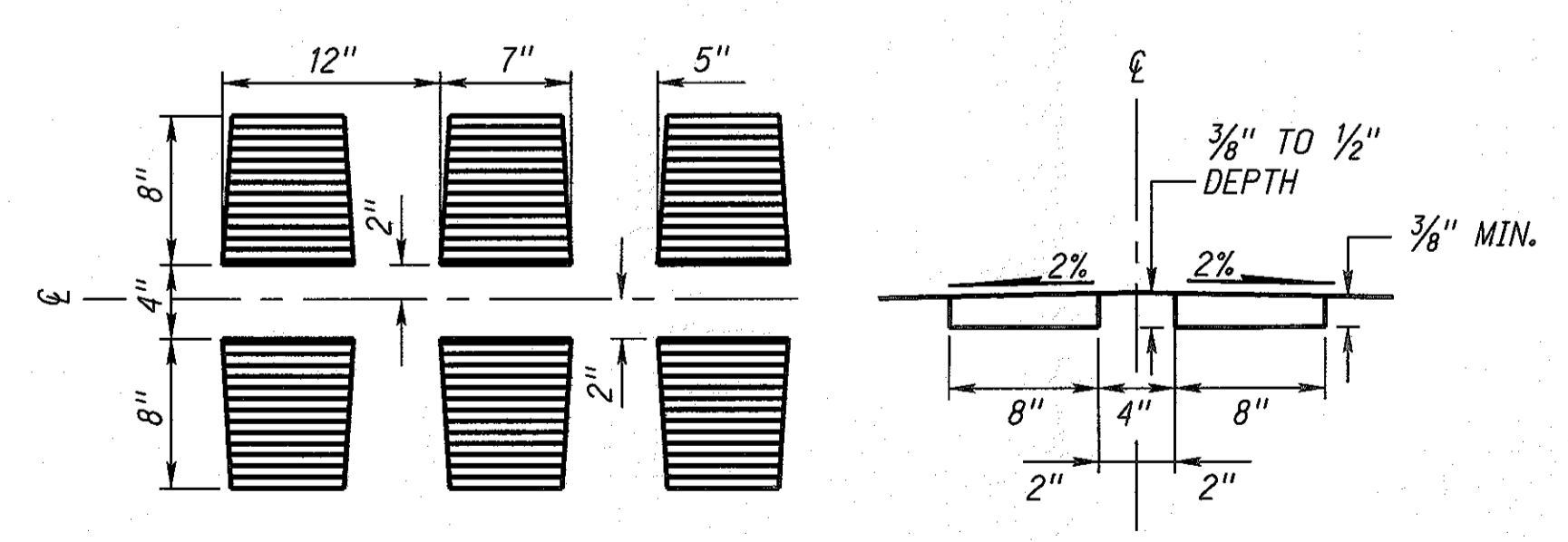
RUMBLE STRIPS CORRUGATIONS  
SECTION A-A  
(TYPICAL FOR ALL SHAPES)



CENTERLINE AND EDGELINE RUMBLE STRIPS SHAPE



CENTERLINE AND EDGELINE RUMBLE STRIPS DETAIL

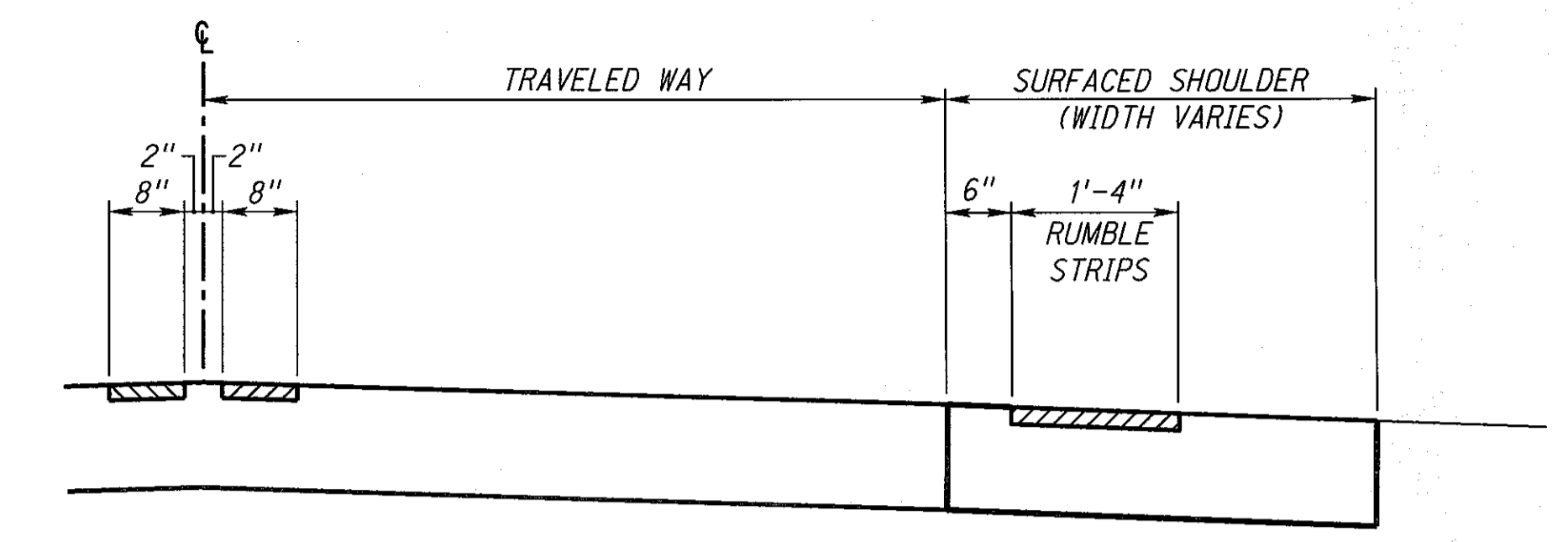


ALTERNATE CENTERLINE RUMBLE STRIPS SHAPE

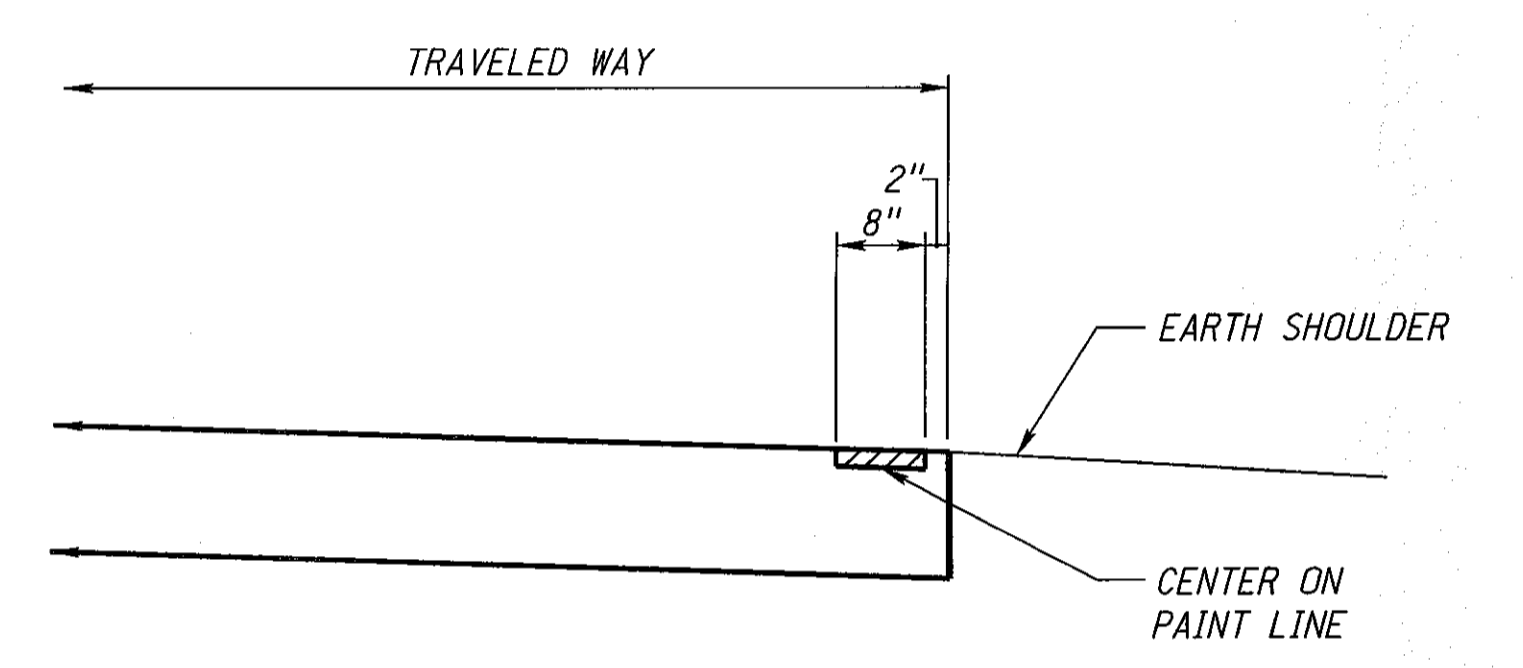
**NOTES:**

RUMBLE STRIPS SHALL BE PLACED ON ALL SHOULDERS AS INDICATED IN THIS PLAN AND IN ACCORDANCE WITH THE PROJECT PLANS. RUMBLE STRIPS ARE NOT NORMALLY REQUIRED ON CITY STREETS AND OTHER URBAN SHOULDERS ADJACENT TO CURB AND GUTTER UNLESS SPECIFICALLY NOTED IN THE PLANS.

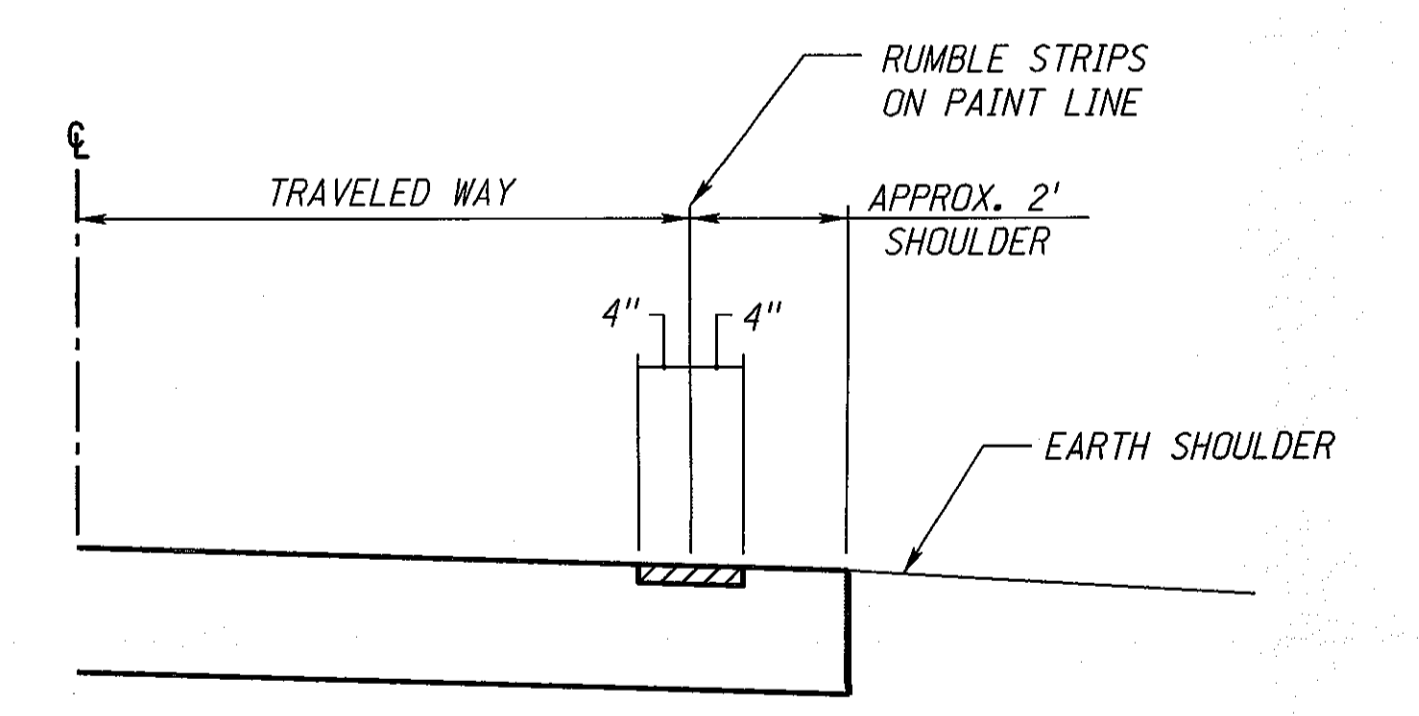
RUMBLE STRIPS MAY BE CONTINUOUS THROUGH ALL DRIVEWAYS AND SHALL BE OMITTED ACROSS INTERSECTING ROADWAYS AND BRIDGES.



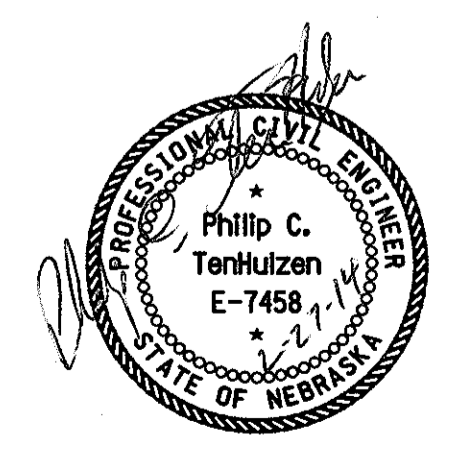
SHOULDER & CENTERLINE



EDGELINE ON 24 FEET ROADWAY



EDGELINE ON 28 FEET ROADWAY



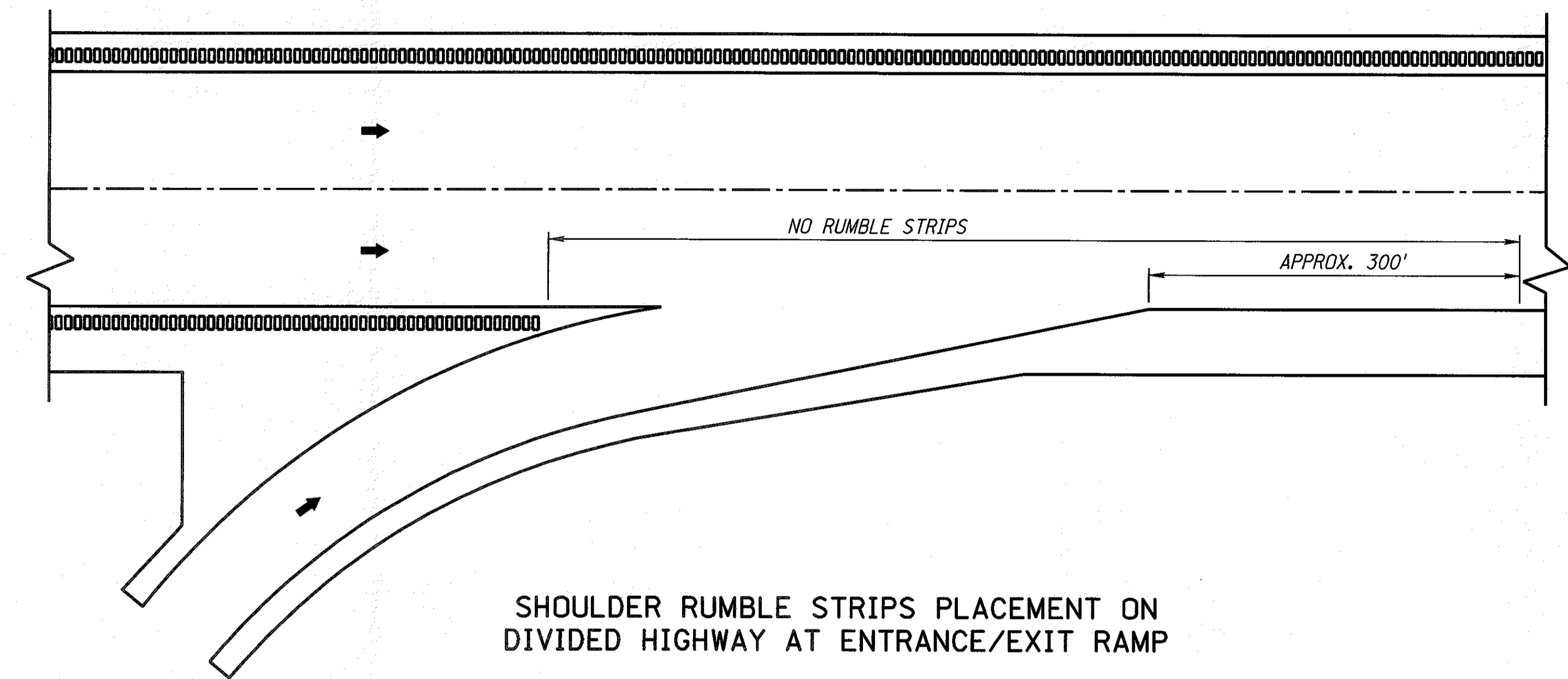
ROADWAY DESIGN DIVISION

Computer: DRDESIGN188

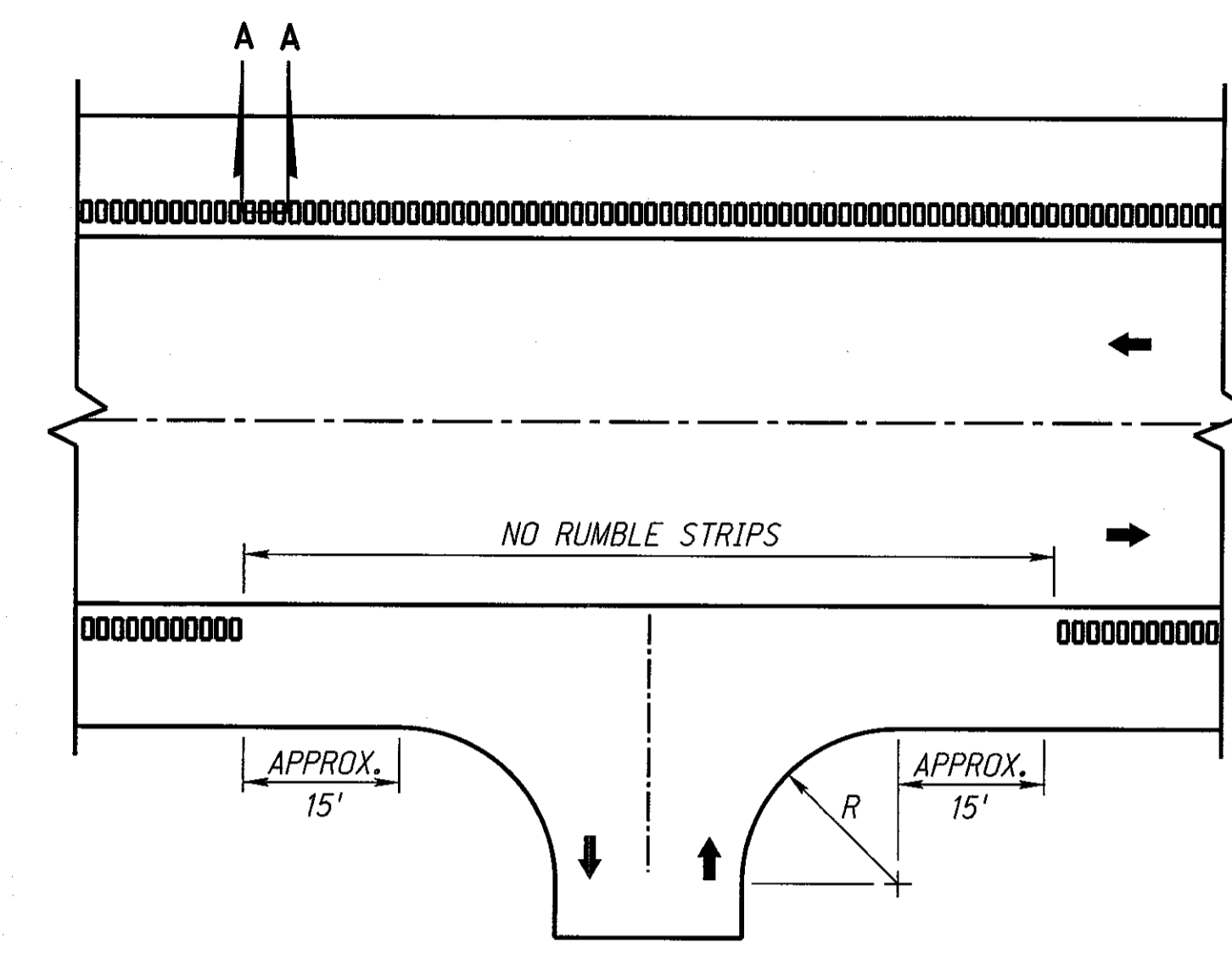
User: dor13161

Date: 26-FEB-2014 13:39

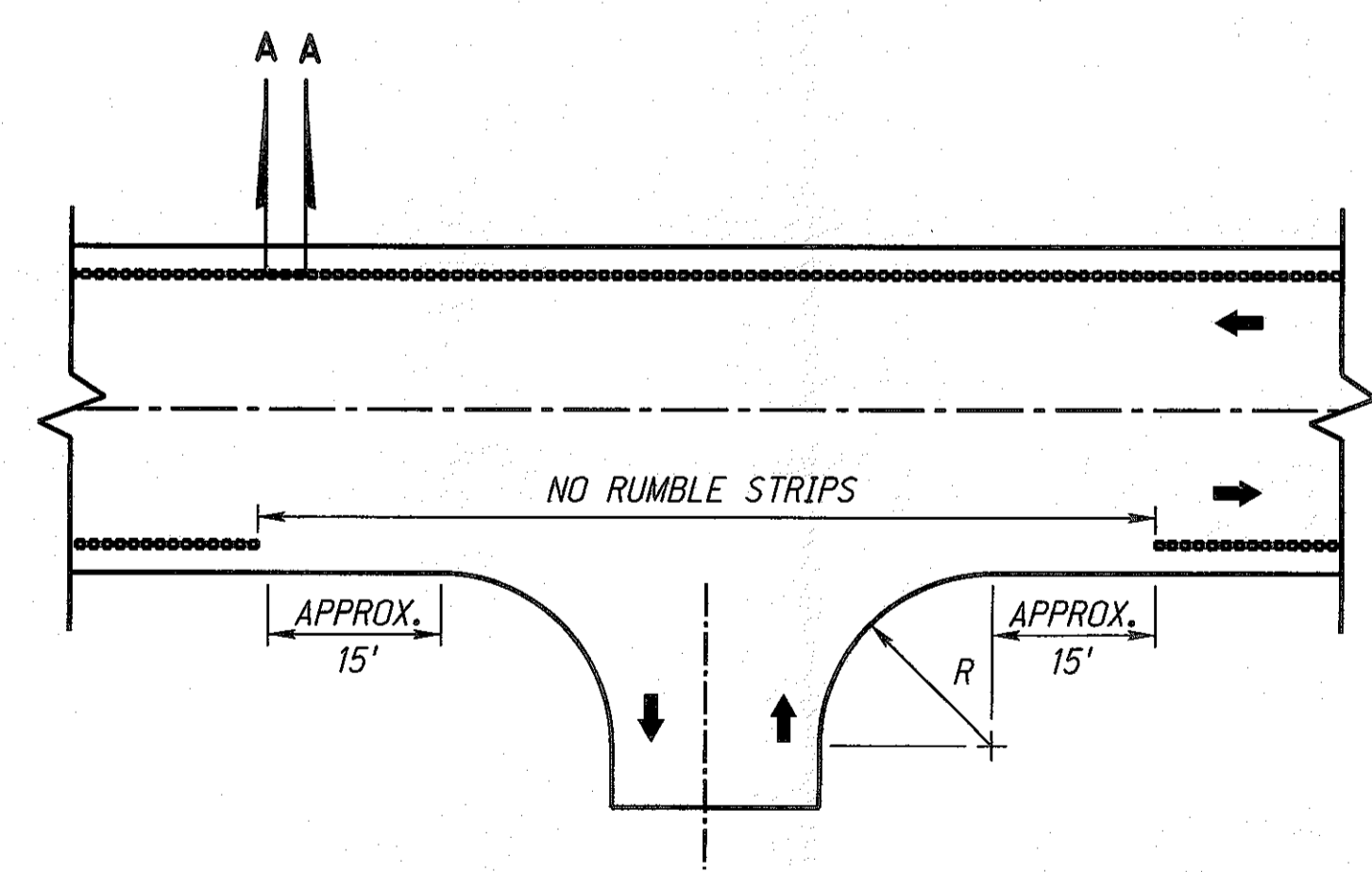
File: m11ca04s01.dgn  
Scale: 1:100  
SHEET 2 OF 2



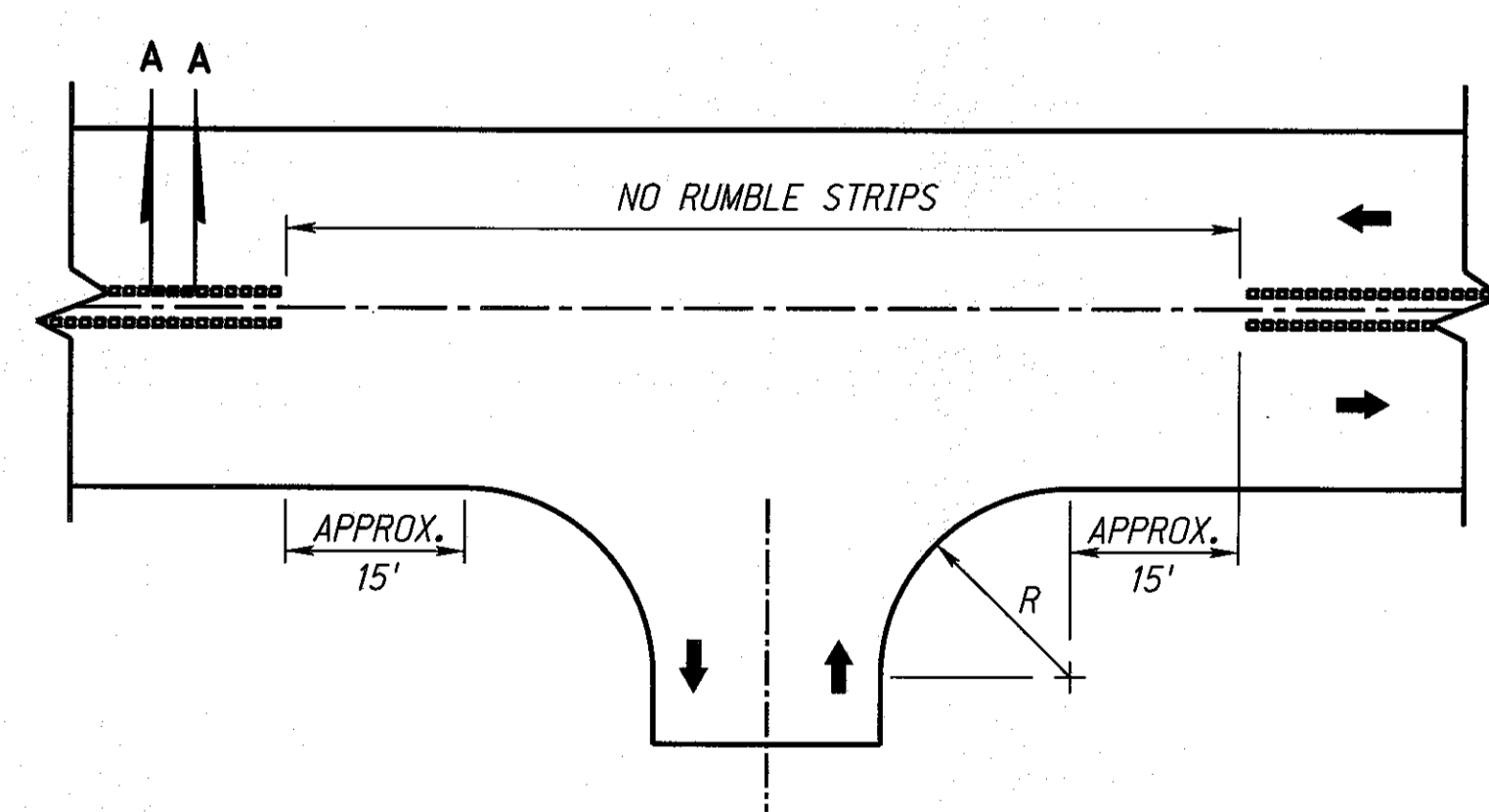
SHOULDER RUMBLE STRIPS PLACEMENT ON DIVIDED HIGHWAY AT ENTRANCE/EXIT RAMP



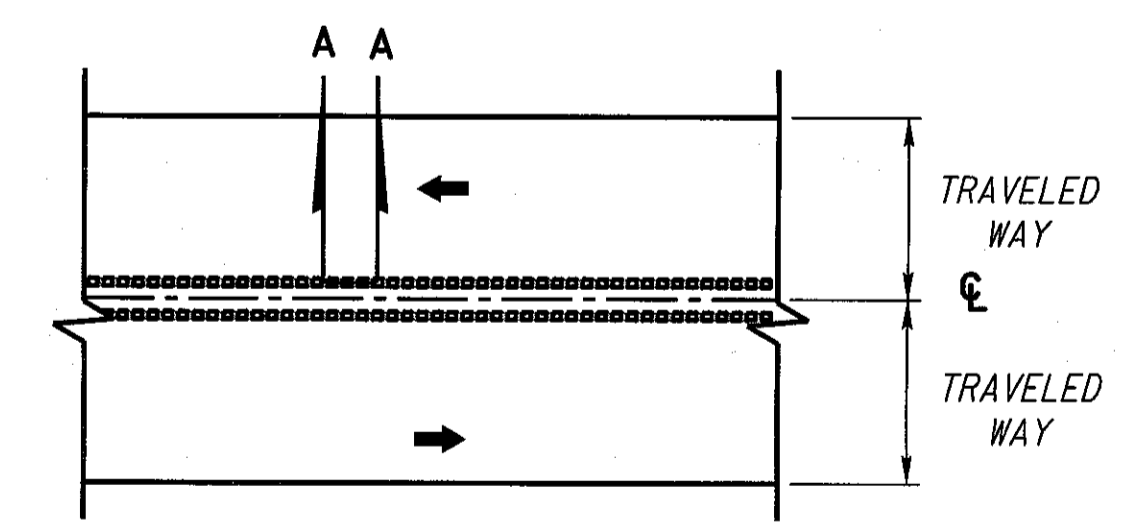
SHOULDER RUMBLE STRIPS PLACEMENT ON 2-LANE HIGHWAY AT INTERSECTION



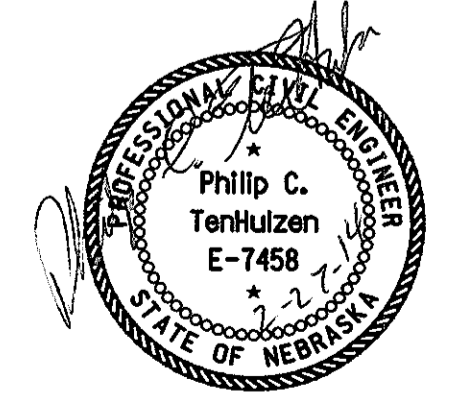
EDGELINE RUMBLE STRIPS PLACEMENT AT INTERSECTION



CENTERLINE RUMBLE STRIPS PLACEMENT AT INTERSECTIONS



CENTERLINE LAYOUT



MILLED RUMBLE STRIPS  
SHEET 2 OF 2  
**SPECIAL PLAN 1C**